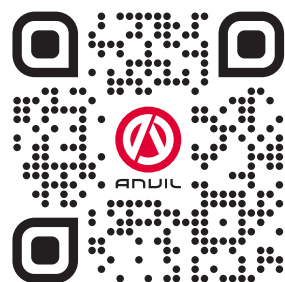




ANVIL

Installation, Operation and Care Manual



SCAN ME
TO GO TO
WARRANTY
REGISTRATION

MANUFACTURING
SINCE 1966

4-INS-CWA0002

THE CHEFS COMPANION



THE CHEFS COMPANION



THANK YOU FOR PURCHASING AN ANVIL PRODUCT!



REGISTER ONLINE TODAY

Register your warranty on-line at www.anvilworld.com today and learn how to get the best out of your Anvil product, tips to care for your Anvil product for long lasting performance, exciting recipes and more.

NO WEB ACCESS?

If you do not have access to the Web, register by completing this form and faxing it to the Anvil head office in South Africa. Fax: +27 11 474 1630

ONLY COMPLETE IF YOU DO NOT HAVE WEB ACCESS

Company _____

Name _____

Surname _____

Telephone _____

Cellphone _____

Email Address _____

Country _____

Postal address _____

Anvil products purchased _____

Code (see box label) _____

Serial number (see back of machine) _____

INTENDED USE

- Full-Service restaurant
- Coffee Shop / Deli
- Fast Food Outlet
- Hotel
- Bed & Breakfast
- School Cafeteria

- Institutional Cafeteria
- Corporate Catering
- Private Use
- Franchisor
- Convenience Store
- Other

 ALL ANVIL EQUIPMENT COMES WITH A TWO YEAR WARRANTY ON COMPONENTS AND DEFECTIVE WORKMANSHIP.

www.anvilworld.com

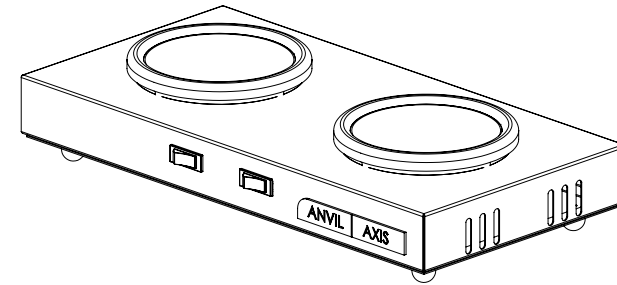
LIMITED WARRANTY

All equipment which is sold under ANVIL trademark and used for commercial purposes is warranted against defects in materials and workmanship. The warranty runs for two years from the date of original installation and is for the benefit of the original purchaser only. All other Warranties ,expressed or implied , statutory or otherwise, including without limitations any implied Warranty of Merchantability or fitness for purpose are excluded .The Seller shall in no event be liable for direct,indirect or consequential damages in connection with ANVIL commercial products.

The Sellers obligation under this Warranty is limited to the repair of defects without charge. Defective units must be taken or shipped,transportation charges prepaid,to ANVIL.

This Warranty is not effective if damage occurs because of accident, carelessness, improper installation, lack of proper set-up, supervision when required or if the equipment is installed or operated in any manner contrary to the installation and operating instructions. In these cases, repairs will be made at a reasonable cost. Work performed by unauthorized personnel or unauthorized service agencies using non Anvil spares voids this Warranty.

COFFEE JUG WARMER



NB:

REGISTER ON-LINE TODAY

Register your warranty on-line now at www.anvilworld.com

NO WEB ACCESS

If you do not have access to the Web. Kindly register by completing the warranty registration form and fax it to the ANVIL office in the country of purchase.

Failure to do so will invalidate your warranty.

**INSTALLATION OPERATION AND CARE OF
COFFEE JUG WARMER
MODELS: CWA0002 R02**

UNPACKING

Unpack the product and check for any damage incurred during transit. This should be reported to the responsible carrier, railway or postal authority, and a request for a damage report should be made.



THESE INSTRUCTIONS MUST BE FOLLOWED FOR US TO GUARANTEE OUR FULL SUPPORT OF YOUR CLAIM FOR PROTECTING AGAINST LOSS FROM CONCEALED DAMAGE. THE FORM FOR FILING SUCH A CLAIM WILL BE PROVIDED BY THE CARRIER.

GENERAL INSTALLATION AND OPERATION INSTRUCTIONS

1. Select either one or two plate operation as required using the illuminated switches provided.
2. The unit has been designed to run continuously.
3. The plate area of the warmer is a hot surface. Only Pyrex and or stainless steel decanters should be used.



WARNING

Burn Hazard.

Do not touch hot food, liquid or heating surfaces while equipment is heating or operating

Hot surfaces and food can burn skin. Allow the hot surfaces to cool before handling

CLEANING

1. Always ensure that the appliance is disconnected from the mains power supply before cleaning.
2. This appliance should not be cleaned with a water jet or immersed in water. Use only a damp cloth or sponge dipped in soapy water.
3. Wipe off the appliance with a dry cloth and wait at least half an hour before re – connecting to the mains outlet.



THIS APPLIANCE SHOULD NOT BE CLEANED WITH A WATER JET OR IMMERSSED IN WATER. USE ONLY A DAMP CLOTH OR SPONGE DIPPED IN SOAPY WATER. DO NOT USE STEEL-WOOL WHICH WILL MARK THE BRIGHT STAINLESS STEEL FINISH



CLEAN THE STAINLESS STEEL PARTS WITH WATER AND SOAP. AVOID THE USE OF DETERGENTS CONTAINING ABRASIVE SUBSTANCES. ALWAYS RINSE WELL AND DRY CAREFULLY AFTER CLEANING. DO NOT USE PRODUCTS CONTAINING AGGRESSIVE CHEMICALS, ACIDS OR PRODUCTS WITH CHLORINE TO CLEAN THE STAINLESS STEEL EVEN IF DILUTED



WARNING

Electric Shock Hazard.

Keep water and other liquids from entering the inside of the equipment. Liquid inside the equipment could cause an electrical shock

Do not spray water or cleaning products. Liquid could contact the electrical components and cause a short circuit or an electrical shock. Do not use equipment if power cord is damaged or has been modified

SAFETY

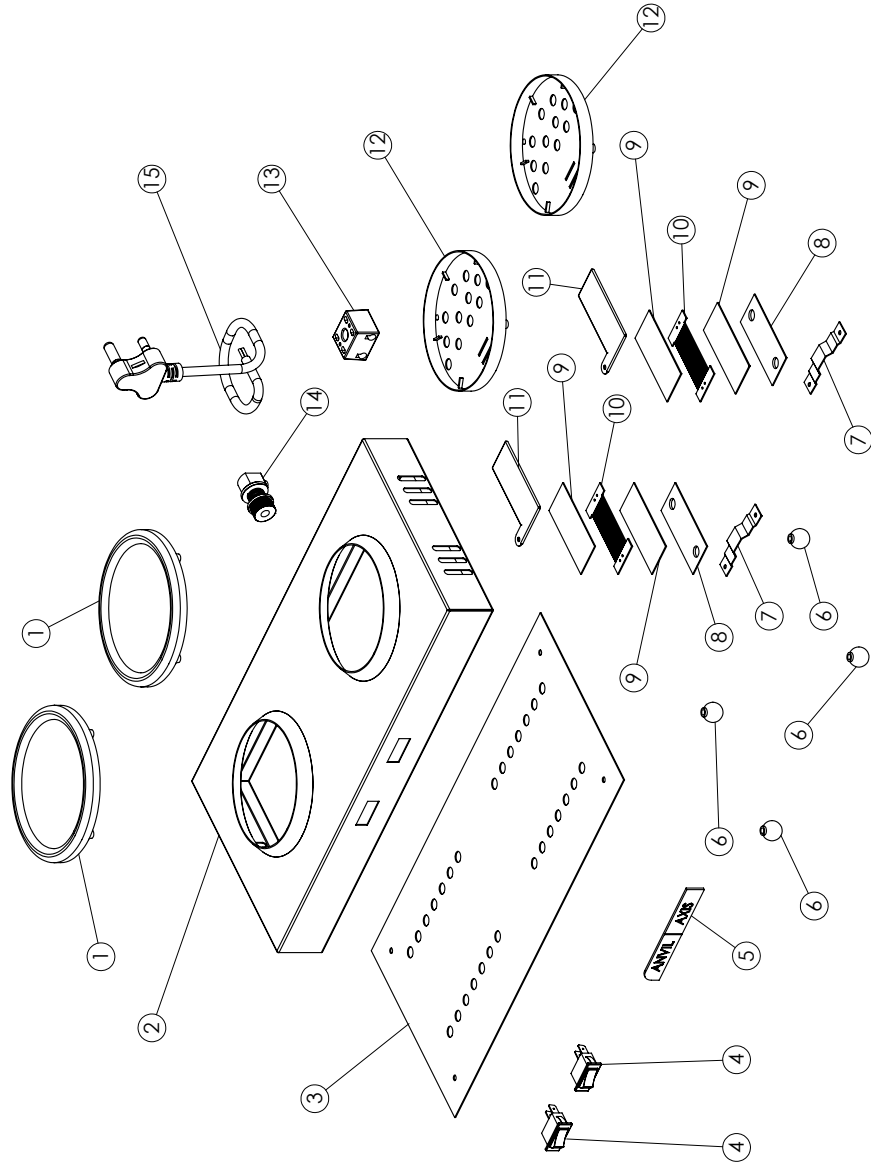
READ ALL INSTRUCTIONS BEFORE USE. FAILURE TO FOLLOW THESE PRECAUTIONS COULD RESULT IN INJURY TO YOURSELF AND OTHERS

1. When this appliances is to be positioned in close proximity to a wall, partitions, kitchen furniture, decorative finishes, etc. it is recommended that they be made of non-combustible material. If not, they shall be clad with a suitable non-combustible heat insulating material, and the closest attention be paid to fire prevention regulations.
2. Use the appliances on an individual 15A mains outlet only.
DO NOT OVERLOAD THE CIRCUIT.
3. Ensure that the equipment and the power supply cord does not come into contact with hot surfaces.
4. Supervision is necessary when the appliance is used in close proximity to children.
5. If the supply cord is damaged, it must be replaced with a new cord assembly available from the suppliers agent.
6. Use only earthed outlets matching the serial plate voltage.
7. Have equipment installed by a qualified personnel in accordance with local codes and ordinances.
8. Use equipment in a flat level position.
9. Do not operate unattended
10. The equipment may be hot, even though the pilot light is not on.
11. Do not operate if equipment has been damaged or is malfunctioning in any way.
12. These appliances are designed to run only on alternating current (A.C.) **DO NOT CONNECT TO DIRECT CURRENT (D.C)**

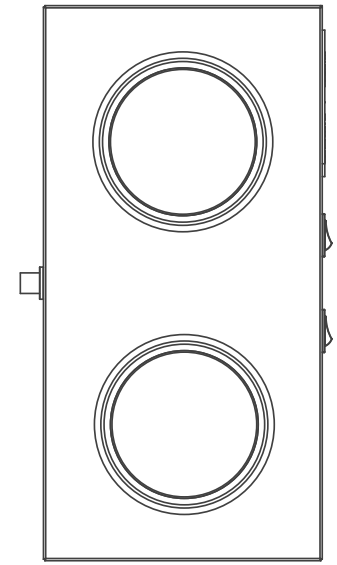
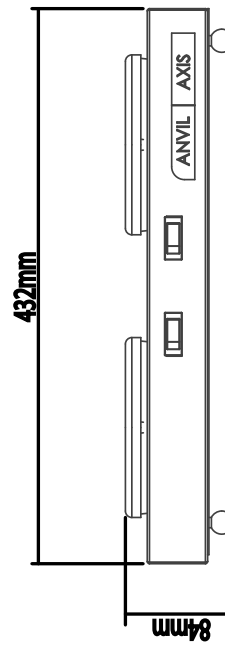
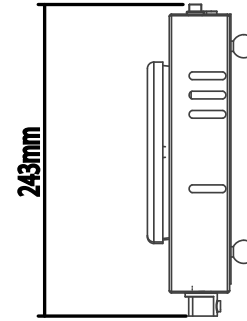
COFFEE JUG WARMER MODEL CODE :CWA0002 RO2

Part No.	Description
1	COFFEE WARMER CASTING
2	BODY ASSEMBLY
3	BOTTOM COVER
4	ILLUMINATED ROCKER SWITCH
5	ANVIL AXIS LOGO
6	SMALL FOOT
7	ELEMENT CLAMP PLATE
8	ELEMENT HOLDER BOTTOM
9	MILL BOARD
10	ELEMENT 230V 60W
11	ELEMENT HOLDER TOP
12	ELEMENT PROTECTION COVER
13	TERMINAL BLOCK
14	CABLE GRIP
15	POWER CORD

**EXPLODED DIAGRAM
COFFEE JUG WARMER
MODEL: CWA0002 R02**



**POSITIONING DIAGRAM
COFFEE JUG WARMER
MODEL: CWA0002 R02**



ELECTRICAL CONNECTION INFORMATION

MODEL	DESCRIPTION	VOLTS (V /Hz)	POWER (W)
CWA0002	COFFEE JUG WARMER	230/50	200
CWA0002-120	COFFEE JUG WARMER	230/50	200



IT IS ESSENTIAL TO MAKE SURE THAT THE INCOMING VOLTAGE IS THE SAME AS THE RATED VOLTAGE OF THE OF THE UNIT AS FOUND ON THE SERIAL PLATE. THE SERIAL PLATE IS LOCATED AT THE REAR OF THE UNIT ADJACENT TO THE INCOMING CABLE ENTRY.

WIRING DIAGRAM COFFE JUG WARMER MODEL CODE: CWA0002 R02

LEGEND	DESCRIPTION	PART NUMBER
S1	ILLUMINATED ROCKER SWITCH	1-17TAF
S2	ILLUMINATED ROCKER SWITCH	1-17TAF
E1/E2	ELEMENT 100W/230V	5-COFFEE WARMER

