



# Installation, Operation and Care Manual



SCAN ME  
TO GO TO  
WARRANTY  
REGISTRATION

MANUFACTURING  
SINCE 1966

4-INS-PMK0001

THE CHEFS COMPANION



THE CHEFS COMPANION



THANK YOU FOR PURCHASING AN ANVIL PRODUCT!



**REGISTER ONLINE TODAY**

Register your warranty on-line at [www.anvilworld.com](http://www.anvilworld.com) today and learn how to get the best out of your Anvil product, tips to care for your Anvil product for long lasting performance, exciting recipes and more.

**NO WEB ACCESS?**

If you do not have access to the Web, register by completing this form and faxing it to the Anvil head office in South Africa. Fax: +27 11 474 1630

**ONLY COMPLETE IF YOU DO NOT HAVE WEB ACCESS**

Company \_\_\_\_\_

Name \_\_\_\_\_

Surname \_\_\_\_\_

Telephone \_\_\_\_\_

Cellphone \_\_\_\_\_

Email Address \_\_\_\_\_

Country \_\_\_\_\_

Postal address \_\_\_\_\_

\_\_\_\_\_

\_\_\_\_\_

Anvil products purchased \_\_\_\_\_

Code (see box label) \_\_\_\_\_

Serial number (see back of machine) \_\_\_\_\_

**INTENDED USE**

- Full-Service restaurant
- Coffee Shop / Deli
- Fast Food Outlet
- Hotel
- Bed & Breakfast
- School Cafeteria

- Institutional Cafeteria
- Corporate Catering
- Private Use
- Franchisor
- Convenience Store
- Other

 ALL ANVIL EQUIPMENT COMES WITH A TWO YEAR WARRANTY ON COMPONENTS AND DEFECTIVE WORKMANSHIP.

[www.anvilworld.com](http://www.anvilworld.com)

## LIMITED WARRANTY

All equipment which is sold under ANVIL trademark and used for commercial purposes is warranted against defects in materials and workmanship. The warranty runs for two years from the date of original installation and is for the benefit of the original purchaser only. All other Warranties ,expressed or implied , statutory or otherwise, including without limitations any implied Warranty of Merchantability or fitness for purpose are excluded .The Seller shall in no event be liable for direct,indirect or consequential damages in connection with ANVIL commercial products.

The Sellers obligation under this Warranty is limited to the repair of defects without charge. Defective units must be taken or shipped,transportation charges prepaid,to ANVIL.

This Warranty is not effective if damage occurs because of accident,carelessness,improper installation,lack of proper set-up,supervision when required or if the equipment is installed or operated in any manner contrary to the installation and operating instructions. In these cases,repairs will be made at a reasonable cost. Work performed by unauthorized personnel or unauthorized service agencies using non Anvil spares voids this Warranty.



**NB:**

### REGISTER ON-LINE TODAY

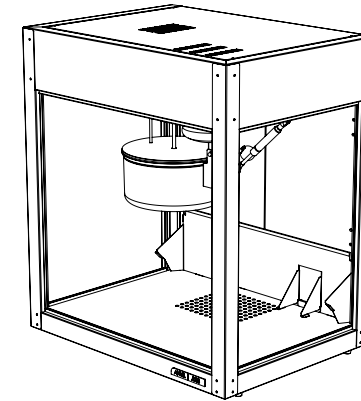
Register your warranty on-line now at [www.anvilworld.com](http://www.anvilworld.com)

### NO WEB ACCESS

If you do not have access to the web. Kindly register by completing the warranty registration form and fax it to the anvil office in the country of purchase.

**Failure to do so will invalidate your warranty.**

## POPCORN MACHINE 8oz



**INSTALLATION OPERATION AND CARE OF  
POPCORN MACHINE 8oz  
MODEL: PMK0001-1**

## UNPACKING

Unpack the product and check for any damage incurred during transit. This should be reported to the responsible carrier, railway or postal authority, and a request for a damage report should be made.



THESE INSTRUCTIONS MUST BE FOLLOWED FOR US TO GUARANTEE OUR FULL SUPPORT OF YOUR CLAIM FOR PROTECTING AGAINST LOSS FROM CONCEALED DAMAGE. THE FORM FOR FILING SUCH A CLAIM WILL BE PROVIDED BY THE CARRIER.

## GENERAL INSTALLATION AND OPERATION INSTRUCTIONS

1. The popcorn maker is a light duty volume electrical appliance suitable for displaying and making popcorn. It is capable of making popcorn at venues such as fairs, cinemas and flea markets.
2. Switch on the illuminated main switch, the internal display/heating lamp will be energized.
3. Lift up the lid on the heating kettle, it will be held in place with a magnet.
4. Switch on the kettle heater. Note that the stirrer motor will also run.
5. Pour approximately 1½ tablespoons of cooking oil into the kettle. Allow approximately 8 minutes for the oil to attain operating temperature. (The oil temperature can be tested by adding a few kernels of corn into the hot kettle and waiting until they pop).
6. When the oil has attained optimal cooking temperature as described in point 5 above, pour 200 grams of raw corn into the kettle. Do not make popcorn with the lid open.
7. Within minutes the corn will start to pop and overflow into the base. As soon as the popping ceases, switch off the kettle and tip it to release the balance of the popped corn.
8. Replace kettle to the original position and repeat from step 3, if more popcorn is required.
9. If sufficient popcorn has been produced leave the kettle switched off but leave the main switch on to keep the popcorn warm as well as for display purposes.
10. NOTE!!!! The temperature of the kettle is controlled by a preset thermostat. NO ADJUSTMENT IS POSSIBLE!!!!
11. To prevent carbonization of the oil when the machine has finished popping it is advisable to keep the lid of the kettle open.



## WARNING

### **Burn Hazard.**

Do not touch hot food, liquid or heating surfaces while equipment is heating or operating

Hot surfaces and food can burn skin. Allow the hot surfaces to cool before handling

## CLEANING

1. This unit should not be cleaned with a water jet or immersed in water. Use only a damp cloth or sponge dipped in soapy water. Particular care should be taken when cleaning the kettle, to ensure water does not come in contact with the internal element.
2. Wipe off the unit with a dry cloth and wait at least half an hour before re-connecting to the mains outlet.



CLEAN THE STEEL PARTS WITH WATER AND SOAP. AVOID THE USE OF DETERGENTS CONTAINING ABRASIVE SUBSTANCES. ALWAYS RINSE WELL AND DRY CAREFULLY AFTER CLEANING. DO NOT USE PRODUCTS CONTAINING AGGRESSIVE CHEMICALS, ACIDS OR CHLORINE AS THIS WILL INVALIDATE THE WARRANTY



ALWAYS ENSURE THAT THE UNIT IS DISCONNECTED FROM THE MAIN SUPPLY BEFORE CLEANING



THIS APPLIANCE SHOULD NOT BE CLEANED WITH A WATER JET OR IMMERSSED IN WATER. USE ONLY A DAMP CLOTH OR SPONGE DIPPED IN SOAPY WATER. DO NOT USE STEEL-WOOL WHICH WILL MARK THE FINISH.



## WARNING

### Electric Shock Hazard.

Keep water and other liquids from entering the inside of the equipment. Liquid inside the equipment could cause an electrical shock

Do not spray water or cleaning products. Liquid could contact the electrical components and cause a short circuit or an electrical shock. Do not use equipment if power cord is damaged or has been modified

## SAFETY

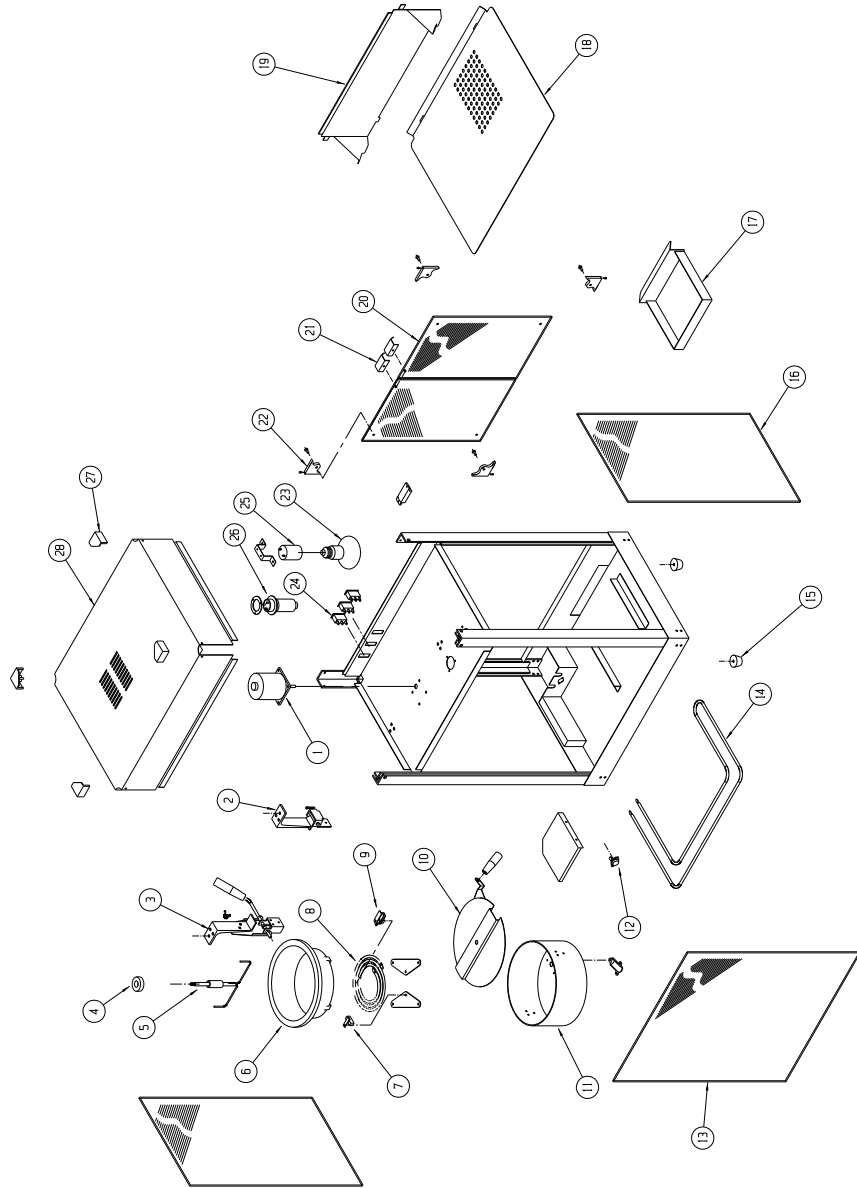
### READ ALL INSTRUCTIONS BEFORE USE. FAILURE TO FOLLOW THESE PRECAUTIONS COULD RESULT IN INJURY TO YOURSELF AND OTHERS

1. When this appliance is to be positioned in close proximity to a wall, partitions, kitchen furniture, decorative finishes, etc. it is recommended that they be made of non-combustible material. If not, they shall be clad with a suitable non-combustible heat insulating material, and the closest attention be paid to fire prevention regulations.
2. Use the appliance on an individual 15A mains outlet only. DO NOT OVERLOAD THE CIRCUIT.
3. These appliances are designed to operate on alternating current only (A.C). **DO NOT CONNECT TO DIRECT CURRENT (D.C)**
4. Ensure that the supply cord does not come into contact with hot surfaces.
5. If the supply cord is damaged, it must be replaced with a new cord assemble available from the suppliers agent.
6. Do not touch moving parts while operating the unit.
7. Supervision is necessary when the appliance is used in close proximity to children.
8. Do not leave kettle lid down, when not in use, with the heater on.
9. Do not operate if equipment has been damaged or is malfunctioning in any way.
10. Care should be taken in working with the hot oil in the kettle as negligence on behalf of the operator can cause serious injury.

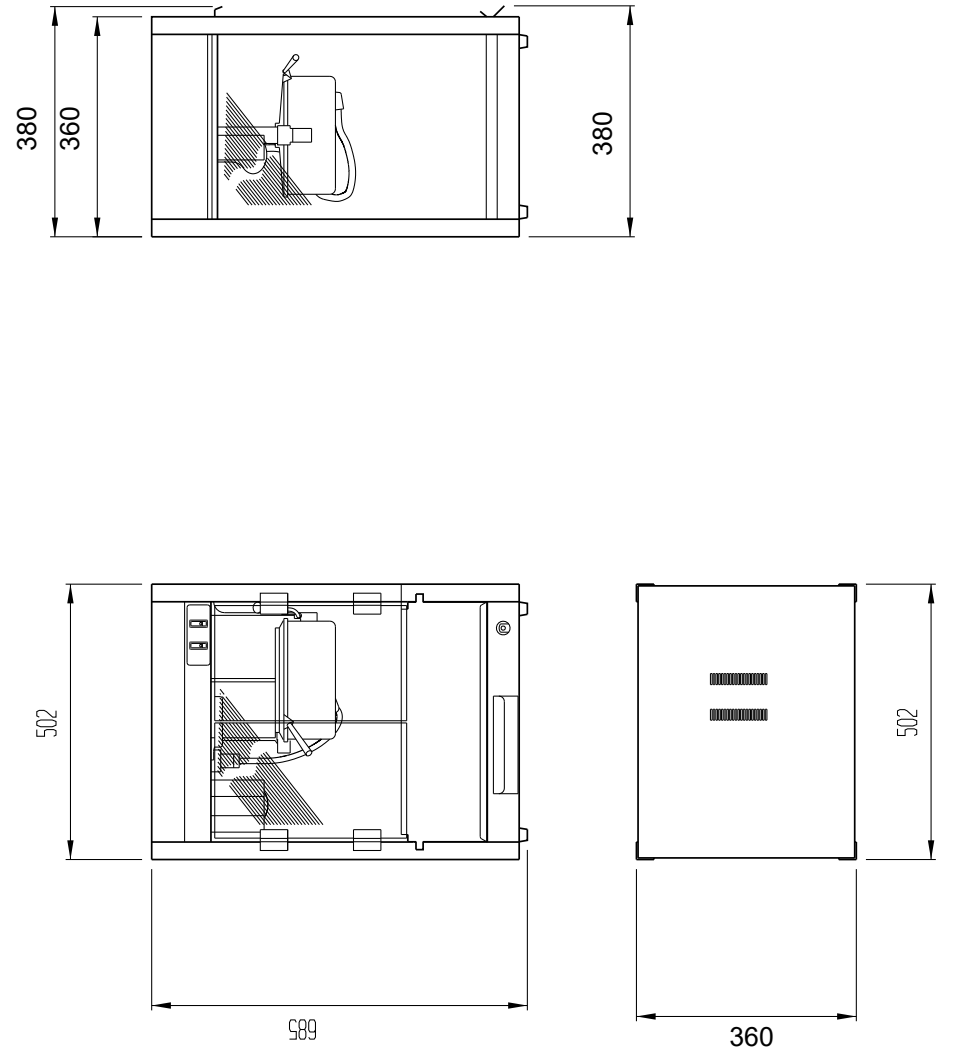
### MODEL: 8oz POPCORN MACHINE MODEL CODE : PMK0001-1

| Part No. | Description                              |
|----------|--|
| 1        | STIRRER MOTOR                            |
| 2        | KETTLE RIGHT HINGE ASSY.                 |
| 3        | KETTLE LEFT HINGE ASSY.                  |
| 4        | POT LID MAGNET                           |
| 5        | STIRROR ARM ASSY. PMK0001                |
| 6        | ALUMINIUM POT - PMK0001                  |
| 7        | SAFETY FUSE FOR KETTLE ( 298 C)          |
| 8        | KETTLE ELEMENTS 1200W                    |
| 9        | SNAP ACTION THERMOSTAT KETTLE (220 C)    |
| 10       | SS POT LID - PMK0001                     |
| 11       | OUTER KETTLE SHELL - PMK0001             |
| 12       | SAFETY CUT OUT FOR INTERIOR HEATING 85°C |
| 13       | POPCORN MACHINE FRONT GLASS TEMPERED     |
| 14       | ELEMENT FOR INTERIOR HEATING             |
| 15       | RUBBER FOOT                              |
| 16       | SIDE GLASS TEMPERED                      |
| 17       | KERNAL TRAY                              |
| 18       | INTERIOR BOTTOM PLATE                    |
| 19       | SERVING HATCH                            |
| 20       | POPCORN MACHINE PERSPEX DOOR 353X215X4MM |
| 21       | DOOR HANDLE - PMK0001                    |
| 22       | FRONT DOOR HINGE                         |
| 23       | WHITE LIGHT BULB FOR PMK0001             |
| 24       | ROCKER SWITCHES                          |
| 25       | LIGHT BULB HOLDER FOR PMK0001            |
| 26       | 3 PIN CONNECTOR WITH CONDUIT - PMK0001   |
| 27       | PLASTIC CORNERS PMK0001                  |
| 28       | HOOD                                     |

**EXPLODED DIAGRAM  
POPCORN MACHINE  
PMK0001-1**



**POSITIONING DIAGRAM  
POPCORN MACHINE  
PMK0001-1**



## ELECTRICAL CONNECTION INFORMATION

| MODEL      | DESCRIPTION     | VOLTAGE<br>( V/Hz) | POWER<br>( W) |
|------------|-----------------|--------------------|---------------|
| PMK0001-01 | POPCORN MACHINE | 230/50             | 1350          |



IT IS ESSENTIAL TO MAKE SURE THAT THE INCOMING VOLTAGE IS THE SAME AS THE RATED VOLTAGE OF THE UNIT AS FOUND ON THE SERIAL PLATE. THE SERIAL PLATE IS LOCATED AT THE REAR OF THE UNIT ADJACENT TO THE INCOMING CABLE ENTRY.

## WIRING DIAGRAM MODEL:POPCORN MACHINE MODEL CODE: PMK0001 R02

| LEGEND   | DESCRIPTION                      | PART NUMBER     |
|----------|----------------------------------|-----------------|
| S1/S2/S3 | ILLUMINATED ROCKER SWITCH        | 1-17-TAF        |
| L1       | INTERIOR LIGHT                   | 1-LB-PMK0001    |
| B1       | BOTTOM WARMING SAFETY THERMOSTAT | 1-THER-PMK001-1 |
| B2       | COOKING ELEMENT THERMOSTAT       | 1-THER-PMK001-3 |
| B3       | COOKING KETTLE SAFETY FUSE       | 1-THER-PMK001-2 |
| E1       | INTERIOR ELEMENT 200W/230V       | 5-200W-PMK0001  |
| E2       | KETTLE ELEMENT 1000W/230V        | 5-1000W-PMK0001 |
| M        | STIRRING MOTOR                   | 1-MOT-PMK0001A  |

