



**ANVIL**

# Installation, Operation and Care Manual



SCAN ME  
TO GO TO  
WARRANTY  
REGISTRATION

MANUFACTURING  
SINCE 1966

4-INS-SAK0450

THE CHEFS COMPANION



THE CHEFS COMPANION



THANK YOU FOR PURCHASING AN ANVIL PRODUCT!



**REGISTER ONLINE TODAY**

Register your warranty on-line at [www.anvilworld.com](http://www.anvilworld.com) today and learn how to get the best out of your Anvil product, tips to care for your Anvil product for long lasting performance, exciting recipes and more.

**NO WEB ACCESS?**

If you do not have access to the Web, register by completing this form and faxing it to the Anvil head office in South Africa. Fax: +27 11 474 1630

**ONLY COMPLETE IF YOU DO NOT HAVE WEB ACCESS**

Company \_\_\_\_\_

Name \_\_\_\_\_

Surname \_\_\_\_\_

Telephone \_\_\_\_\_

Cellphone \_\_\_\_\_

Email Address \_\_\_\_\_

Country \_\_\_\_\_

Postal address \_\_\_\_\_

Anvil products purchased \_\_\_\_\_

Code (see box label) \_\_\_\_\_

Serial number (see back of machine) \_\_\_\_\_

**INTENDED USE**

- |  |  |
|--|--|
| <input type="checkbox"/> Full-Service restaurant | <input type="checkbox"/> Institutional Cafeteria |
| <input type="checkbox"/> Coffee Shop / Deli      | <input type="checkbox"/> Corporate Catering      |
| <input type="checkbox"/> Fast Food Outlet        | <input type="checkbox"/> Private Use             |
| <input type="checkbox"/> Hotel                   | <input type="checkbox"/> Franchisor              |
| <input type="checkbox"/> Bed & Breakfast         | <input type="checkbox"/> Convenience Store       |
| <input type="checkbox"/> School Cafeteria        | <input type="checkbox"/> Other                   |



ALL ANVIL EQUIPMENT COMES WITH A TWO YEAR WARRANTY ON COMPONENTS AND DEFECTIVE WORKMANSHIP.

[www.anvilworld.com](http://www.anvilworld.com)

## LIMITED WARRANTY

All equipment which is sold under ANVIL trademark and used for commercial purposes is warranted against defects in materials and workmanship. The warranty runs for two years from the date of original installation and is for the benefit of the original purchaser only. All other Warranties ,expressed or implied , statutory or otherwise, including without limitations any implied Warranty of Merchantability or fitness for purpose are excluded .The Seller shall in no event be liable for direct,indirect or consequential damages in connection with ANVIL commercial products.

The Sellers obligation under this Warranty is limited to the repair of defects without charge. Defective units must be taken or shipped,transportation charges prepaid,to ANVIL.

This Warranty is not effective if damage occurs because of accident,carelessness,improper installation,lack of proper set-up,supervision when required or if the equipment is installed or operated in any manner contrary to the installation and operating instructions. In these cases,repairs will be made at a reasonable cost. Work performed by unauthorized personnel or unauthorized service agencies using non Anvil spares voids this Warranty.



**NB:**

### REGISTER ON-LINE TODAY

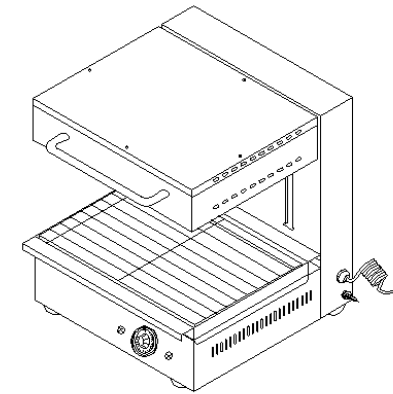
Register your warranty on-line now at [www.anvilworld.com](http://www.anvilworld.com)

### NO WEB ACCESS

If you do not have access to the Web. Kindly register by completing the warranty registration form and fax it to the ANVIL office in the country of purchase.

**Failure to do so will invalidate your warranty.**

## LIFT UP SALAMANDER



**INSTALLATION OPERATION AND CARE OF  
LIFT UP SALAMANDER  
MODELS: SAK0450 R01/SAK0600 R01**

## UNPACKING

Unpack the product and check for any damage incurred during transit. This should be reported to the responsible carrier, railway or postal authority, and a request for a damage report should be made.



THESE INSTRUCTIONS MUST BE FOLLOWED FOR US TO GUARANTEE OUR FULL SUPPORT OF YOUR CLAIM FOR PROTECTING AGAINST LOSS FROM CONCEALED DAMAGE. THE FORM FOR FILING SUCH A CLAIM WILL BE PROVIDED BY THE CARRIER.

## GENERAL INSTALLATION AND OPERATION INSTRUCTIONS

1. This appliance has been designed as an adjustable height salamander. It can be used for a variety of functions including browning, melting of cheese and various grilling operations.
2. Place the salamander into the desired position ensuring that it is situated at least 200mm away from the wall.
3. Set the salamander to the desired operating temperature. In the case of model SAK0600 it is possible to operate both sides of the heating box independently if required. The red pilot light indicates when the elements are on.
4. The heating effect required can also be adjusted by varying the height of the top heater box.
5. To remove finished items it is recommended that the top box is lifted to its fully open position for safety reasons.

NOTES

## NOTES

**WARNING****Burn Hazard.**

Do not touch hot food, liquid or heating surfaces while equipment is heating or operating

Hot surfaces and food can burn skin. Allow the hot surfaces to cool before handling

**CLEANING**

1. Always ensure that the unit is disconnected from the main power supply before cleaning.
2. This unit should not be cleaned with a water jet or immersed in water. Use only a damp cloth or sponge dipped in soapy water.
3. Wipe off the unit with a dry cloth and wait at least a half an hour before re-connecting to the main power outlet.



CLEAN THE STAINLESS STEEL PARTS WITH WATER AND SOAP. AVOID THE USE OF DETERGENTS CONTAINING ABRASIVE SUBSTANCES. ALWAYS RINSE WELL AND DRY CAREFULLY AFTER CLEANING. DO NOT USE PRODUCTS CONTAINING AGGRESSIVE CHEMICALS, ACIDS OR PRODUCTS WITH CHLORINE TO CLEAN THE STAINLESS STEEL EVEN IF DILUTED



## WARNING

### Electric Shock Hazard.

Keep water and other liquids from entering the inside of the equipment. Liquid inside the equipment could cause an electrical shock

Do not spray water or cleaning products. Liquid could contact the electrical components and cause a short circuit or an electrical shock. Do not use equipment if power cord is damaged or has been modified

## SAFETY

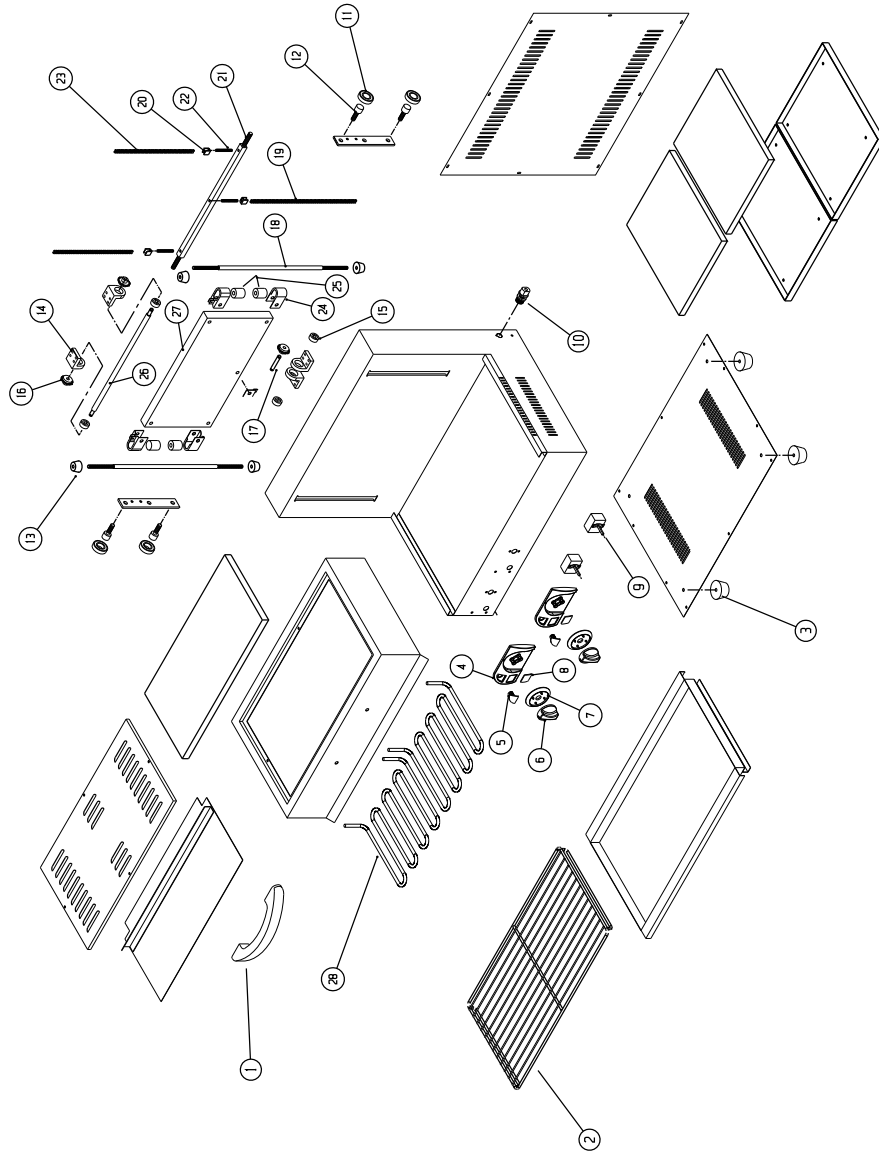
### READ ALL INSTRUCTIONS BEFORE USE. FAILURE TO FOLLOW THESE PRECAUTIONS COULD RESULT IN INJURY TO YOURSELF AND OTHERS

1. When this appliance is to be positioned in close proximity to a wall, partitions, kitchen furniture, decorative finishes, etc. it is recommended that they be made of non-combustible material. If not, they shall be clad with a suitable non-combustible heat insulating material, and the closest attention be paid to fire prevention regulations.
2. Use the multifunction warmer on an individual 15A mains outlet only. **DO NOT OVERLOAD THE CIRCUIT.**
3. Ensure that the equipment and the power supply cord does not come into contact with hot surfaces.
4. Supervision is necessary when the appliance is used in close proximity to children.
5. If the supply cord is damaged, it must be replaced with a new cord assembly available from the suppliers agent. The cord shall be an oil resistant sheathed flexible cable not lighter than ordinary polychloroprene or equivalent synthetic elastomer - sheathed cord (code designation 60245 IEC 57)
6. Use only earthed outlets matching the serial plate voltage.
7. Have equipment installed by a qualified personnel in accordance with local codes and ordinances.
8. Use equipment in a flat level position.
9. Do not operate unattended
10. The equipment may be hot, even though the pilot light is not on.
11. Do not operate if equipment has been damaged or is malfunctioning in any way.
12. These units are designed to run only on alternating current (A.C.) **DO NOT CONNECT TO DIRECT CURRENT (D.C)**

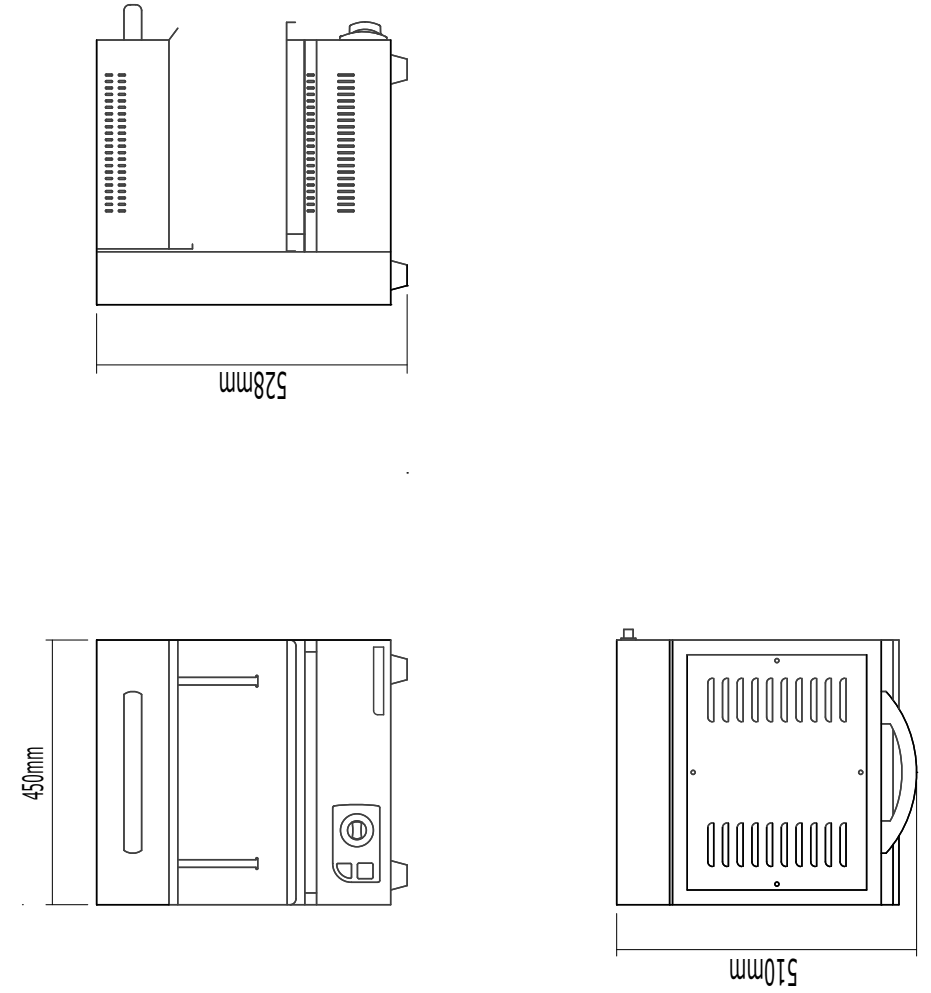
## MODEL:600MM LIFT UP SALAMANDER MODEL CODE : SAK0600 R01

Part No.	Description
1	PLASTIC HANDLE - PMK001
2	SPARE SHELF - SALAMANDER 0600
3	RUBBER FOOT
4	CONTROL PANEL FACIA
5	PILOT LIGHT
6	CONTROL KNOB
7	BEZEL
8	CONTROL PANEL INSERT
9	ENERGY REGULATOR
10	CABLE GLAND
11	POWER CORD
12	SLIDER BEARING
13	BEARING PIN SAK0450
14	RUBBER STOPPER SAK0450
15	BEARING HOUSING SAK0450
16	COUNTER WEIGHT BEARING
17	BEARING SPROCKET SAK0450
18	SPROCKET AXEL SAK0450
19	VERTICAL GUIDES SAK0450
20	LONG CHAIN SAK0450
21	CHAIN LINK SAK0450
22	SHORT CHAIN AXLE SAK0450
23	CHAIN LINK STUD SAK0450
24	SHORT CHAIN SAK0450
25	BUSH HOUSING SAK0450
26	NYLON BUSH SAK0450
27	SHORT CHAIN AXLE SAK0450
28	COUNTER WEIGHT SAK0450
29	2000W HEATING ELEMENT

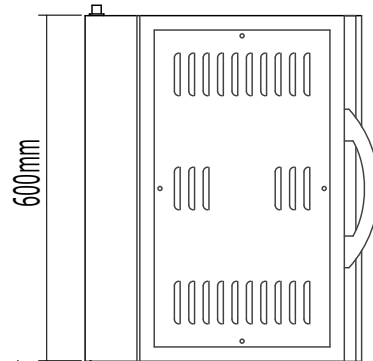
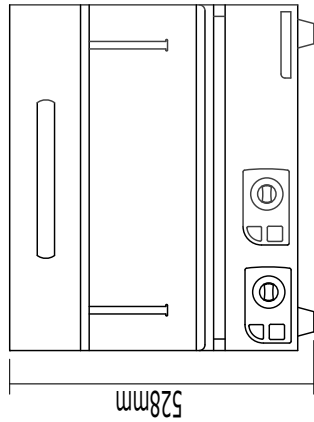
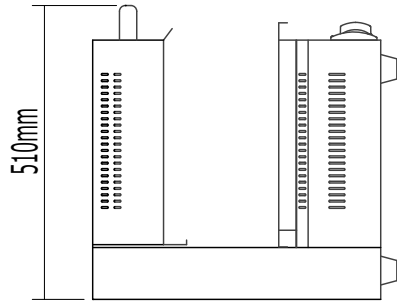
**EXPLODED DIAGRAM  
LIFT UP SALAMANDER  
MODELS: SAK0600 R01**



**POSITIONING DIAGRAM  
LIFT UP SALAMANDER  
MODELS: SAK0450 R01**



**POSITIONING DIAGRAM  
LIFT UP SALAMANDER  
MODELS: SAK0600 R01**

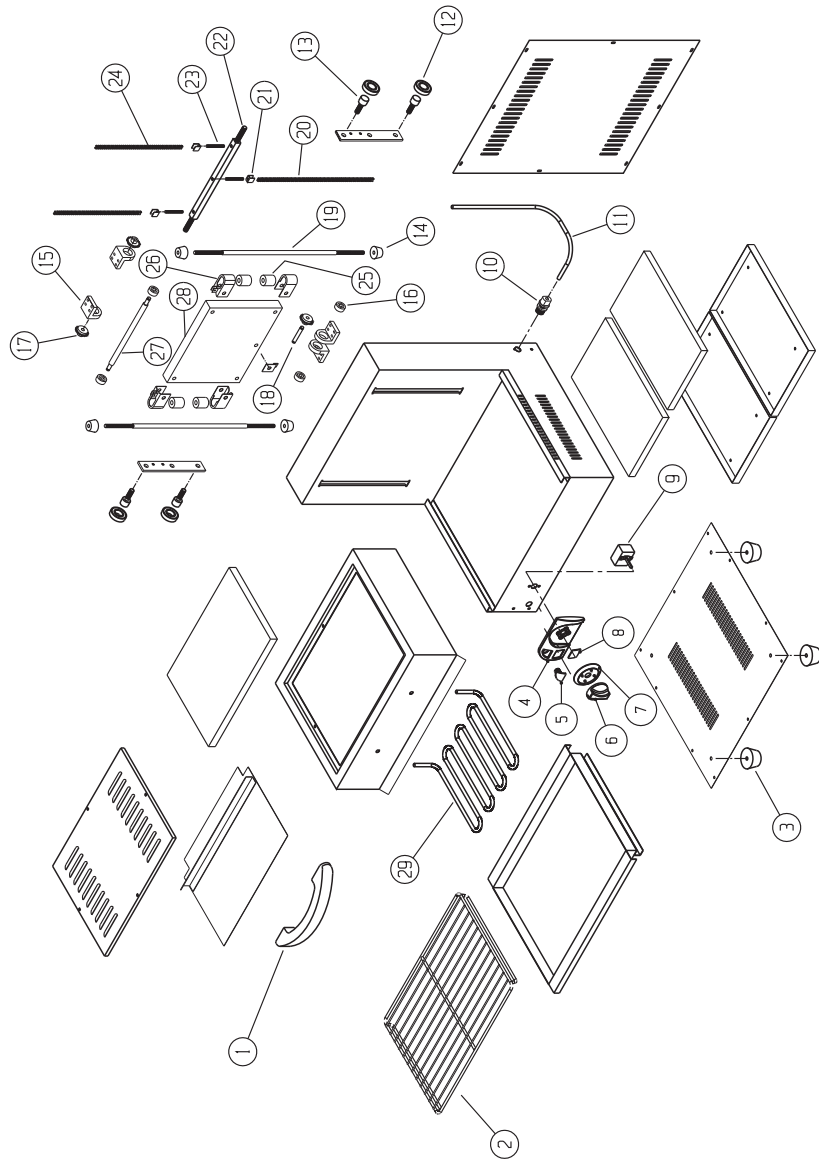


**MODEL:450MM LIFT UP SALAMANDER  
MODEL CODE : SAK0450 R01**

Part No.	Description
1	PLASTIC HANDLE - PMK001
2	SPARE SHELF - SALAMANDER 0450
3	RUBBER FOOT
4	CONTROL PANEL FACIA
5	PILOT LIGHT
6	CONTROL KNOB
7	BEZEL
8	CONTROL PANEL INSERT
9	ENERGY REGULATOR
10	CABLE GLAND
11	POWER CORD
12	SLIDER BEARING
13	BEARING PIN SAK0450
14	RUBBER STOPPER SAK0450
15	BEARING HOUSING SAK0450
16	COUNTER WEIGHT BEARING
17	BEARING SPROCKET SAK0450
18	SPROCKET AXEL SAK0450
19	VERTICAL GUIDES SAK0450
20	LONG CHAIN SAK0450
21	CHAIN LINK SAK0450
22	SHORT CHAIN AXLE SAK0450
23	CHAIN LINK STUD SAK0450
24	SHORT CHAIN SAK0450
25	BUSH HOUSING SAK0450
26	NYLON BUSH SAK0450
27	SHORT CHAIN AXLE SAK0450
28	COUNTER WEIGHT SAK0450
29	2000W HEATING ELEMENT



**EXPLODED DIAGRAM  
LIFT UP SALAMANDER  
MODELS: SAK0450 R01**



**ELECTRICAL CONNECTION INFORMATION**

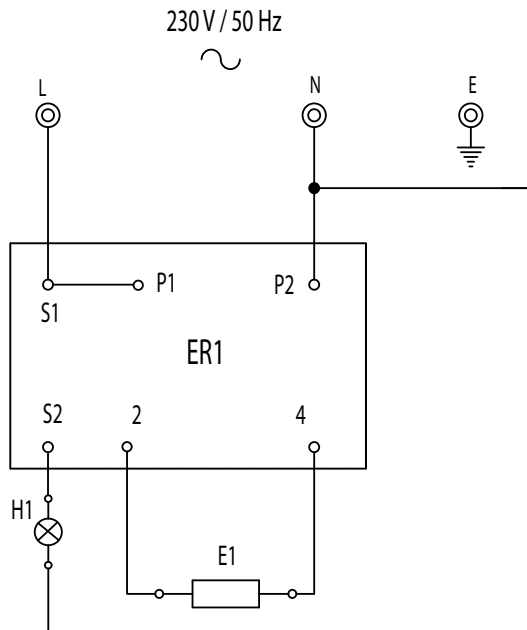
MODEL	DESCRIPTION	VOLTS V /Hz	POWER WATTS
SAK0450	LIFT UP SALAMANDER	230 / 50	2800
SAK0600	LIFT UP SALAMANDER	230 / 50 2 P	4000



IT IS ESSENTIAL TO MAKE SURE THAT THE INCOMING VOLTAGE IS THE SAME AS THE RATED VOLTAGE OF THE OF THE UNIT AS FOUND ON THE SERIAL PLATE. THE SERIAL PLATE IS LOCATED AT THE REAR OF THE UNIT ADJACENT TO THE INCOMING CABLE ENTRY.

**WIRING DIAGRAM**  
**LIFT UP SALAMANDER**  
**MODEL CODE: SAK0450 R01**

LEGEND	DESCRIPTION	PART NUMBER
ER1	ENERGY REGULATOR	1-ER-URS0012
E1	ELEMENT 2800W/230V	5-2800W-SAK0450
H1	PILOT LIGHT	1-PL-BMA0001



**WIRING DIAGRAM**  
**LIFT UP SALAMANDER**  
**MODEL CODE: SAK0600 R01**

LEGEND	DESCRIPTION	PART NUMBER
ER1/ER2	ENERGY REGULATOR	1-ER-URS0012
E1/E2	ELEMENT 2000W/230V	5-2000W-SAK0600
H1/H2	PILOT LIGHT	1-PL-BMA0001

