



ANVIL

Installation, Operation and Care Manual

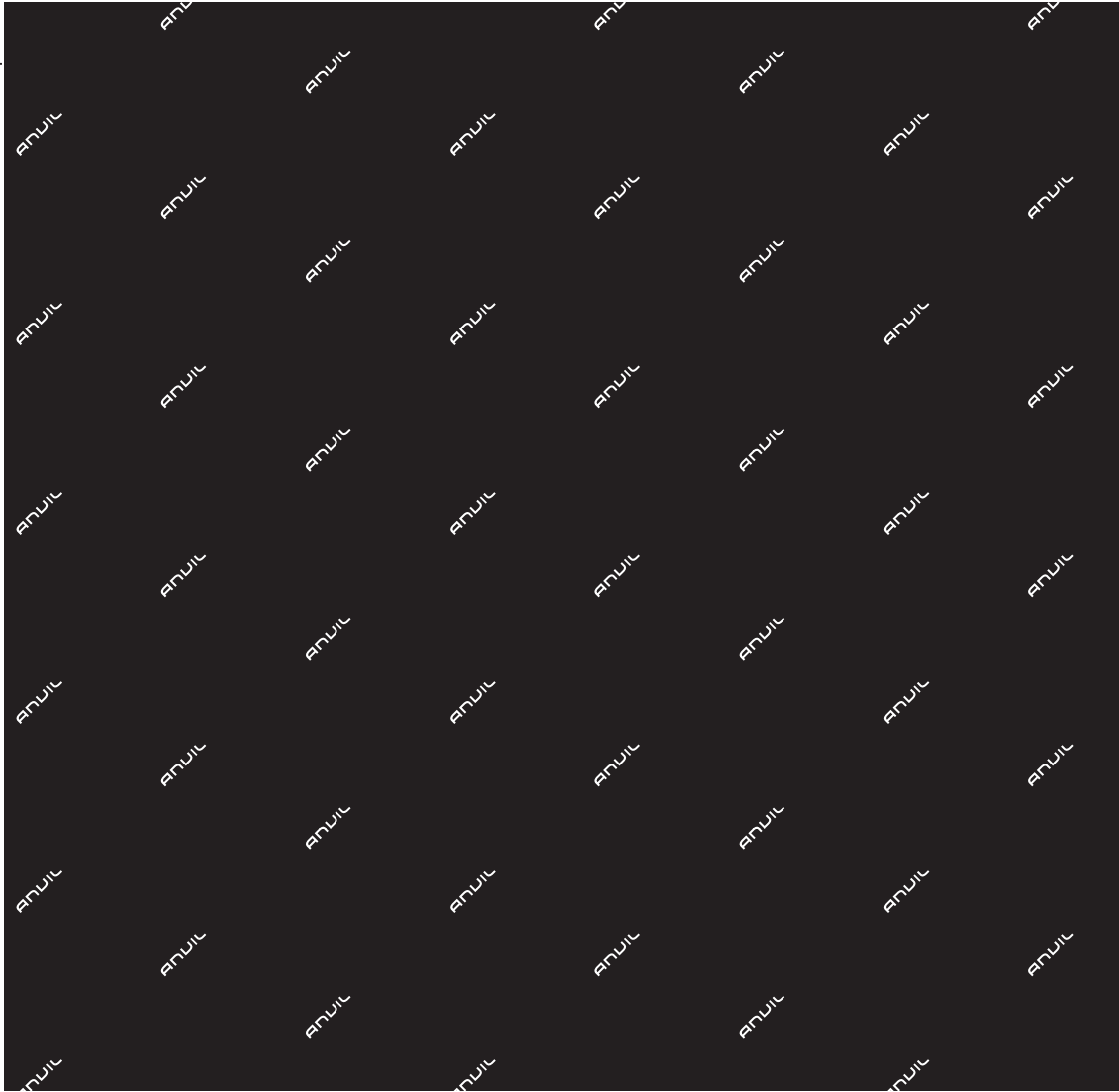


SCAN ME
TO GO TO
WARRANTY
REGISTRATION

MANUFACTURING
SINCE 1966

4-INS-URS0012

THE CHEFS COMPANION



THE CHEFS COMPANION



THANK YOU FOR PURCHASING AN ANVIL PRODUCT!



REGISTER ONLINE TODAY

Register your warranty on-line at www.anvilworld.com today and learn how to get the best out of your Anvil product, tips to care for your Anvil product for long lasting performance, exciting recipes and more.

NO WEB ACCESS?

If you do not have access to the Web, register by completing this form and faxing it to the Anvil head office in South Africa. Fax: +27 11 474 1630

ONLY COMPLETE IF YOU DO NOT HAVE WEB ACCESS

Company _____

Name _____

Surname _____

Telephone _____

Cellphone _____

Email Address _____

Country _____

Postal address _____

Anvil products purchased _____

Code (see box label) _____

Serial number (see back of machine) _____

INTENDED USE

- Full-Service restaurant
- Coffee Shop / Deli
- Fast Food Outlet
- Hotel
- Bed & Breakfast
- School Cafeteria

- Institutional Cafeteria
- Corporate Catering
- Private Use
- Franchisor
- Convenience Store
- Other

 ALL ANVIL EQUIPMENT COMES WITH A TWO YEAR WARRANTY ON COMPONENTS AND DEFECTIVE WORKMANSHIP.

www.anvilworld.com

LIMITED WARRANTY

All equipment which is sold under ANVIL trademark and used for commercial purposes is warranted against defects in materials and workmanship. The warranty runs for two years from the date of original installation and is for the benefit of the original purchaser only. All other Warranties, expressed or implied, statutory or otherwise, including without limitations any implied Warranty of Merchantability or fitness for purpose are excluded. The Seller shall in no event be liable for direct, indirect or consequential damages in connection with ANVIL commercial products.

The Sellers obligation under this Warranty is limited to the repair of defects without charge. Defective units must be taken or shipped, transportation charges prepaid, to ANVIL.

This Warranty is not effective if damage occurs because of accident, carelessness, improper installation, lack of proper set-up, supervision when required or if the equipment is installed or operated in any manner contrary to the installation and operating instructions. In these cases, repairs will be made at a reasonable cost. Work performed by unauthorized personnel or unauthorized service agencies using non Anvil spares voids this Warranty.



NB:

REGISTER ON-LINE TODAY

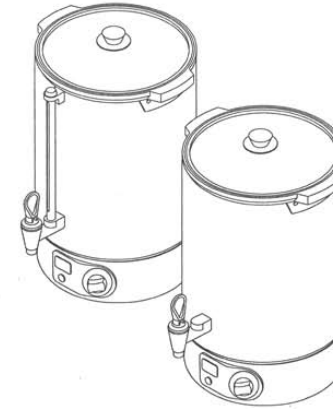
Register your warranty on-line now at www.anvilworld.com

NO WEB ACCESS

If you do not have access to the Web. Kindly register by completing the warranty registration form and fax it to the ANVIL office in the country of purchase.

Failure to do so will invalidate your warranty.

HOT WATER URNS



INSTALLATION OPERATION AND CARE OF HOT WATER URNS ELECTRIC

**MODELS: URS0012 R02/URS0016 R02/URS0020 R02
URS0030 R02/URB1012 R02/URB1016 R02
URB1020 R02/URB1030 R02
URS0012-ICE/URS0016-ICE/URS0020-ICE
URS0030-ICE/URS0012-120/URS0016-120
URS0020-120/URS0030-120/URB1012-120
URB1016-120/URB1020-120/URB1030-120**

UNPACKING

Unpack the product and check for any damage incurred during transit. This should be reported to the responsible carrier, railway or postal authority, and a request for a damage report should be made.



THESE INSTRUCTIONS MUST BE FOLLOWED FOR US TO GUARANTEE OUR FULL SUPPORT OF YOUR CLAIM FOR PROTECTING AGAINST LOSS FROM CONCEALED DAMAGE. THE FORM FOR FILING SUCH A CLAIM WILL BE PROVIDED BY THE CARRIER.

GENERAL INSTALLATION AND OPERATION INSTRUCTIONS

POSITIONING

FILLING INSTRUCTIONS:

1. Fill tank with water to desired level ensuring that the water level is between the marked 'H' (High Level) and 'L' (Low Level) found on the inside of the tank.
2. Ensure that urn is unplugged from the mains supply.
3. Fit lid properly prior to turning urn on.
4. Once the urn has been plugged into the grounded power socket, it is ready to operate.
5. Ensure that the water level is always maintained. If it drops below the level 'L' and the elements burn out, the warranty is null and void.



OVERFILLING WILL CAUSE EXCESS EMISSION OF STEAM AND SPATTERING OF HOT WATER. CARE SHOULD BE TAKEN WHEN REMOVING THE LID OF AN URN CONTAINING HOT WATER TO AVOID BEING SCALDED BY STEAM.

NOTES

NOTES

OPERATING INSTRUCTION**PILOT LIGHT**

1. The pilot light indicates that the urn is switched on

BOILING WATER

1. Fill urn as described under filling instructions.
2. Plug urn into wall socket , switch on and turn control knob to desired position.
3. Positions 1 – 5 on the energy regulator knob ensure that the urn will be cycled on and off. The higher the settings, the longer the period of boiling. This has the effect of wasting both water and electricity.

Settings between position 5 and position 6 renders the element permanently on. When in these positions the element can boil dry and burn out.

The WARRANTY WILL BE INVALID. Users are advised not to leave the temperature setting on position 5 – 6!

SPECIFIC OPERATING INSTRUCTION**URB 0012 /URB 0016 /URB 0020 /URB 0030– DELUX URN RANGE****URS1012-230/ URS1016-230/ URS1020-230/ URS1030-230– DELUX URN RANGE****URS1012-ICE/ URS1016-ICE/ URS1020-ICE/ URS1030-ICE– DELUX URN RANGE**

1. The deluxe model urns only are fitted with an **ANTI BOIL DRY SYSTEM**. In the case of these urns boiling dry, a safety cut-out thermostat will activate and prevent damage to the element.
2. To reset the boil dry thermostat, refill the urn to the water level marked 'H' (High Level) and unscrew the black cap, which is situated on the side of the base as shown in the overview sketch.
3. Depress the centre white pin and the urn will re-energise. Screw on the black cover cap as this will ensure that the mechanism of the thermostat is protected from the intrusion of dust and moisture.



WARNING

Burn Hazard.

Do not touch hot food, liquid or heating surfaces while equipment is heating or operating

Hot surfaces and food can burn skin. Allow the hot surfaces to cool before handling

CLEANING

1. Always ensure that the unit is disconnected from the mains power supply before cleaning
2. This appliance should not be cleaned with a water jet or immersed in water. Use only a damp cloth or sponge dipped in soapy water.
3. Wipe off the unit with a dry cloth and wait at least half an hour before re – connecting to the mains outlet.
3. De-scaling is necessary from time to time due to a build up of scale. This can be done by using a proprietary de-scaler. Various kettle de-scalers/kettle cleaners, which remove scale and markings are available and should be used. Failure to de-scale the urn can cause premature failure of the element and this will void the warranty.



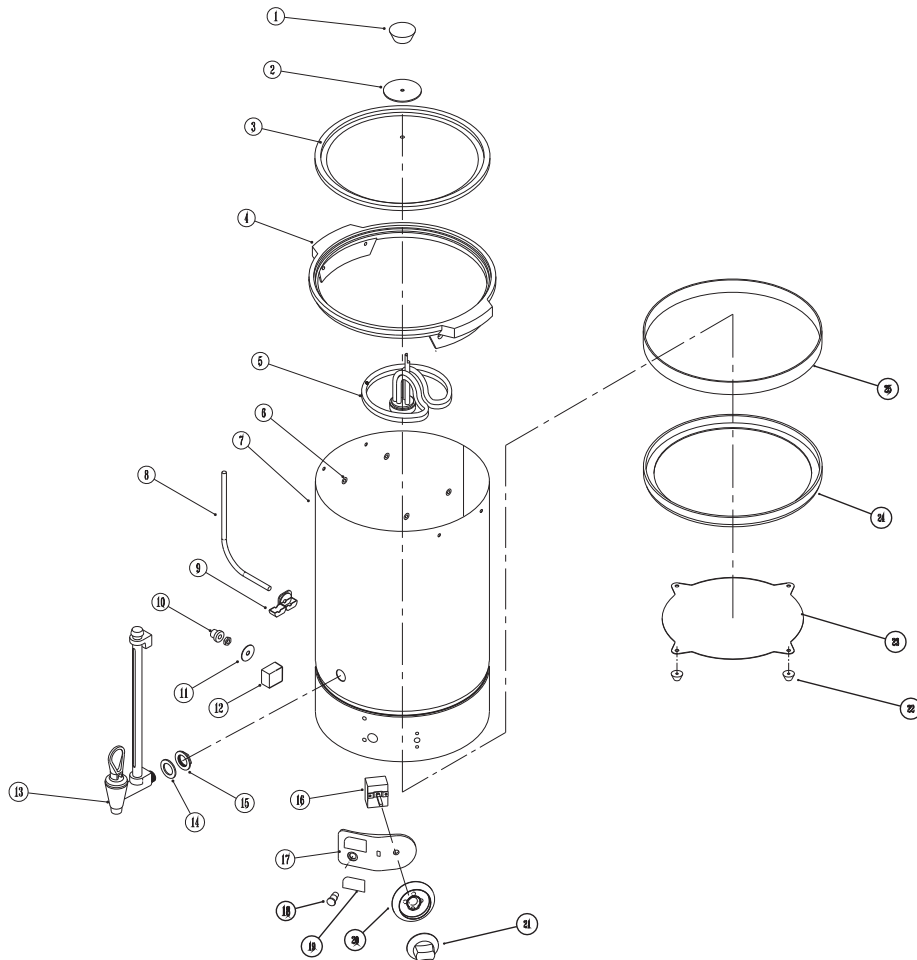
THIS APPLIANCE SHOULD NOT BE CLEANED WITH A WATER JET OR IMMERSSED IN WATER. USE ONLY A DAMP CLOTH OR SPONGE DIPPED IN SOAPY WATER. DO NOT USE STEEL-WOOL WHICH WILL MARK THE BRIGHT STAINLESS STEEL FINISH

MODEL: DELUX WATER URN WITH SIGHT GLASS

MODEL CODE : URS1012/URS1016/URS1020/URS1030 R02

Part No.	Description
1	LID KNOB
2	LID KNOB FINGER PLATE
3	URN LID
4	URN LID FLANGE
5	ELEMENT
6	HANDLE SCREWS SEALING WASHER
7	STAINLESS STEEL TANK
8	POWER CORD
9	CABLE GRIP
10	OVER TEMP SAFETY CAP
11	SAFETY FACIA
12	URN OVER TEMP THERMOSTAT
13	URN DRAIN VALVE WITH SIGHT GLASS
14	DRAIN VALVE SEALING WASHER
15	DRAIN VALVE LOCK NUT
16	ENERGY REGULATOR
17	URN CONTROL PANEL
18	PILOT LIGHT
19	LOGO
20	BEZEL
21	CONTROL KNOB
22	SMALL RUBBER FOOT
23	GALVANISED BOTTOM COVER
24	BASE SEAL
25	SOLID SILICONE SEAL

**EXPLODED DIAGRAM
DELUX WATER URN WITH SIGHT GLASS
MODEL CODE: URS1012 R02/URS1016 R02/URS1020 R02
URS1030 R02**



WARNING

Electric Shock Hazard.

Keep water and other liquids from entering the inside of the equipment. Liquid inside the equipment could cause an electrical shock.

Do not spray water or cleaning products. Liquid could contact the electrical components and cause a short circuit or an electrical shock. Do not use equipment if power cord is damaged or has been modified.

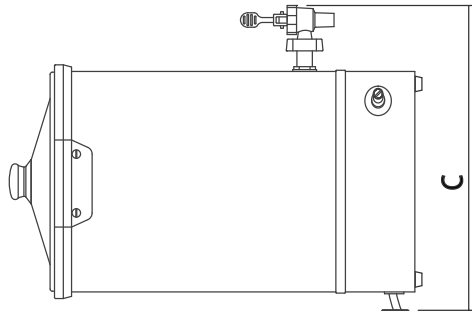
SAFETY

READ ALL INSTRUCTIONS BEFORE USE. FAILURE TO FOLLOW THESE PRECAUTIONS COULD RESULT IN INJURY TO YOURSELF AND OTHERS

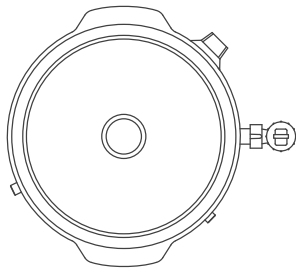
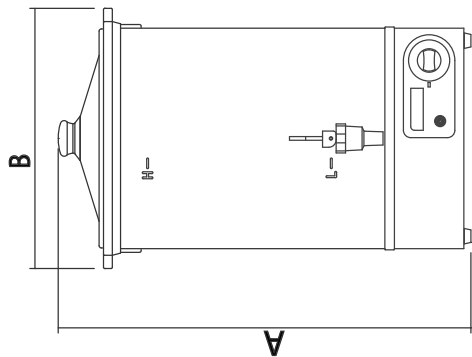
1. When this appliances is to be positioned in close proximity to a wall, partitions, kitchen furniture, decorative finishes, etc. it is recommended that they be made of non-combustible material. If not, they shall be clad with a suitable non-combustible heat insulating material, and the closest attention be paid to fire prevention regulations.
2. Use the appliances on an individual 15A mains outlet only.
DO NOT OVERLOAD THE CIRCUIT.
3. Ensure that the equipment and the power supply cord does not come into contact with hot surfaces.
4. Supervision is necessary when the appliance is used in close proximity to children.
5. If the supply cord is damaged, it must be replaced with a new cord assembly available from the suppliers agent.
6. Use only earthed outlets matching the serial plate voltage.
7. Have equipment installed by a qualified personnel in accordance with local codes and ordinances.
8. Use equipment in a flat level position.
9. Do not operate unattended
10. The equipment may be hot, even though the pilot light is not on.
11. Do not operate if equipment has been damaged or is malfunctioning in any way.
12. These appliances are designed to run only on alternating current (A.C.) **DO NOT CONNECT TO DIRECT CURRENT (D.C)**

**POSITIONING DIAGRAM
HOT WATER URNS STANDARD**

**MODEL: URS0012 R02/URS0016 R02/URS0020 R02
URS0030 R02/URB0012 R02/URB0016 R02
URB0020 R02/URB0030 R02**



PRODUCT CODE	A	B	C
URS0012	450	354	415
URS0016	510	354	415
URS0020	680	354	415
URS0030	700	354	415
URB0012	450	354	415
URB0016	510	354	415
URB0020	680	354	415
URB0030	700	354	415

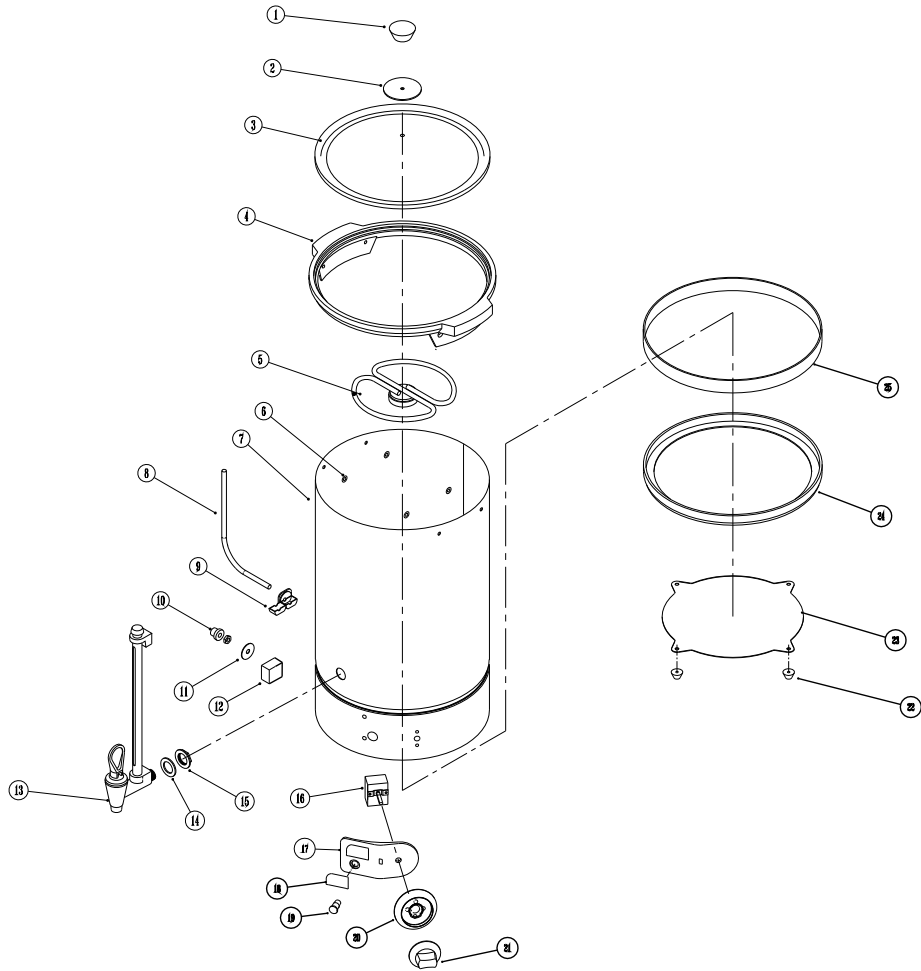


**MODEL: DELUX WATER URN
WITH SIGHT GLASS**

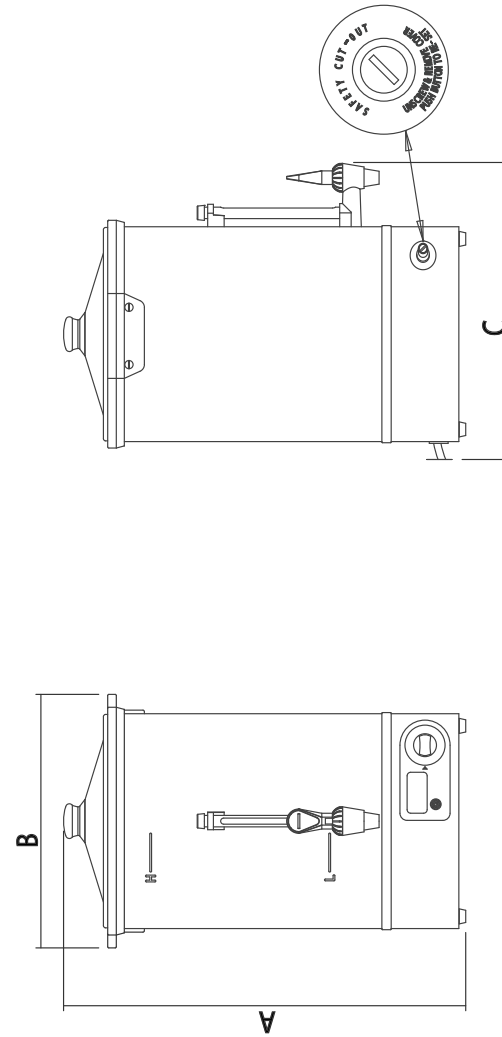
MODEL CODE : URB1012/URB1016/URB1020/URB1030 R02

Part No.	Description
1	LID KNOB
2	LID KNOB FINGER PLATE
3	URN LID
4	URN LID FLANGE
5	ELEMENT
6	HANDLE SCREWS SEALING WASHER
7	STAINLESS STEEL TANK
8	POWER CORD
9	CABLE GRIP
10	OVER TEMP SAFETY CAP
11	SAFETY FACIA
12	URN OVER TEMP THERMOSTAT
13	URN DRAIN VALVE WITH SIGHT GLASS
14	DRAIN VALVE SEALING WASHER
15	DRAIN VALVE LOCK NUT
16	ENERGY REGULATOR
17	URN CONTROL PANEL
18	LOGO
19	PILOT LIGHT
20	BEZEL
21	CONTROL KNOB
22	SMALL RUBBER FOOT
23	GALVANISED BOTTOM COVER
24	BASE SEAL
25	SOLID SILICONE SEAL

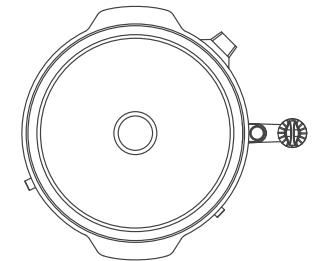
**EXPLODED DIAGRAM
DELUX WATER URN WITH SIGHT GLASS
MODEL CODE: URB1012 R02/URB1016 R02/URB1020 R02
URB1030 R02**



**POSITIONING DIAGRAM
HOT WATER URNS WITH SIGHT GLASS
MODEL: URS1012 R02/URS1016 R02/URS1020 R02
URS1030 R02/URB1012 R02/URB1016 R02
URB1020 R02/URB1030 R02**



PRODUCT CODE	A	B	C
URS1012	435	354	415
URS1016	480	354	415
URS1020	540	354	415
URS1030	680	354	415
URB1012	435	354	415
URB1016	480	354	415
URB1020	540	354	415
URB1030	680	354	415



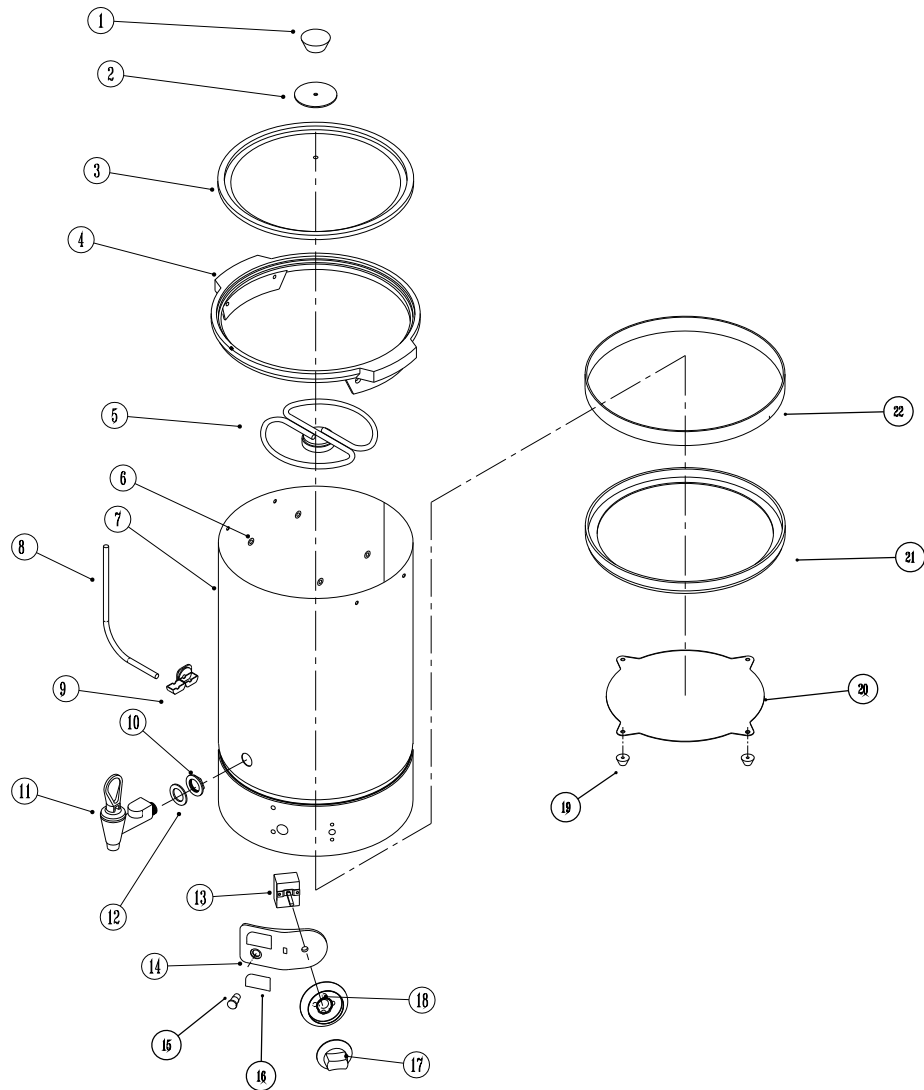
ELECTRICAL CONNECTION INFORMATION

MODEL	DESCRIPTION	VOLTS (V/Hz)	POWER (W)
URS0012	12LT STANDARD URN	230/50	2700
URS0016	16LT STANDARD URN	230/50	2700
URS0020	20LT STANDARD URN	230/50	2700
URS0030	30LT STANDARD URN	230/50	2700
URS1012	12LT STANDARD URN WITH SIGHT GLASS	230/50	2700
URS1016	16LT STANDARD URN WITH SIGHT GLASS	230/50	2700
URS1020	20LT STANDARD URN WITH SIGHT GLASS	230/50	2700
URS1030	30LT STANDARD URN WITH SIGHT GLASS	230/50	2700
URB0012	12LT DELUX URN	230/50	2700
URB0016	16LT DELUX URN	230/50	2700
URB0020	20LT DELUX URN	230/50	2700
URB0030	30LT DELUX URN	230/50	2700
URS1012-230	12LT DELUX URN WITH SIGHT GLASS	230/50	2700
URS1016-230	16LT DELUX URN WITH SIGHT GLASS	230/50	2700
URS1020-230	20LT DELUX URN WITH SIGHT GLASS	230/50	2700
URS1030-230	30LT DELUX URN WITH SIGHT GLASS	230/50	2700
URS1012-ICE	12LT DELUX URN WITH SIGHT GLASS	240/50	2400
URS1016-ICE	16LT DELUX URN WITH SIGHT GLASS	240/50	2400
URS1020-ICE	20LT DELUX URN WITH SIGHT GLASS	240/50	2400
URS1030-ICE	30LT DELUX URN WITH SIGHT GLASS	240/50	2400
URS1012-120	12LT STANDARD URN	120/60	1800
URS1016-120	12LT STANDARD URN	120/60	1800
URS1020-120	12LT STANDARD URN	120/60	1800
URS1030-120	12LT STANDARD URN	120/60	1800
URS1012-120	12LT STANDARD URN WITH SIGHT GLASS	120/60	1800
URS1016-120	12LT STANDARD URN WITH SIGHT GLASS	120/60	1800
URS1020-120	12LT STANDARD URN WITH SIGHT GLASS	120/60	1800
URS1030-120	12LT STANDARD URN WITH SIGHT GLASS	120/60	1800
URB0012-120	12LT DELUX URN	120/60	1800
URB0016-120	12LT DELUX URN	120/60	1800
URB0020-120	12LT DELUX URN	120/60	1800
URB0030-120	12LT DELUX URN	120/60	1800

MODEL: DELUX WATER URN
MODEL CODE : URS0012/URS0016/URS0020
URS0030 R02

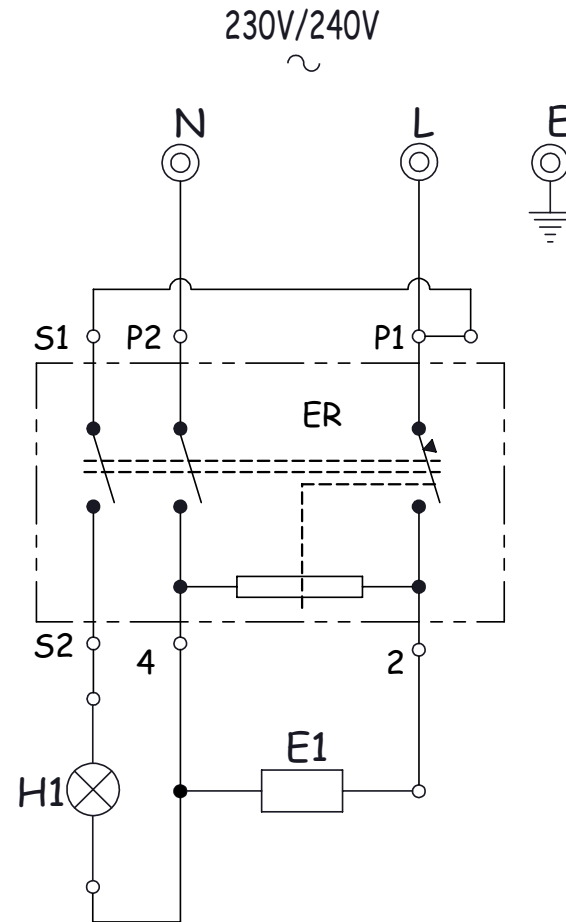
Part No.	Description
1	LID KNOB
2	LID KNOB FINGER PLATE
3	URN LID
4	URN LID FLANGE
5	ELEMENT
6	HANDLE SCREWS SEALING WASHER
7	STAINLESS STEEL TANK
8	POWER CORD
9	CABLE GRIP
10	DRAIN VALVE LOCK NUT
11	PLASTIC DRAIN VALVE
12	SEALING WASHER
13	ENERGY REGULATOR
14	URN CONTROL PANEL
15	PILOT LIGHT
16	LOGO
17	CONTROL KNOB
18	BEZEL
19	SMALL RUBBER FOOT
20	GALVANISED BOTTOM COVER
21	BASE SEAL
22	SOLID SILICONE SEAL

**EXPLODED DIAGRAM
DELUX WATER URN
MODEL CODE: URS0012 R02/URS0016 R02/URS0020 R02
URS0030 R02**



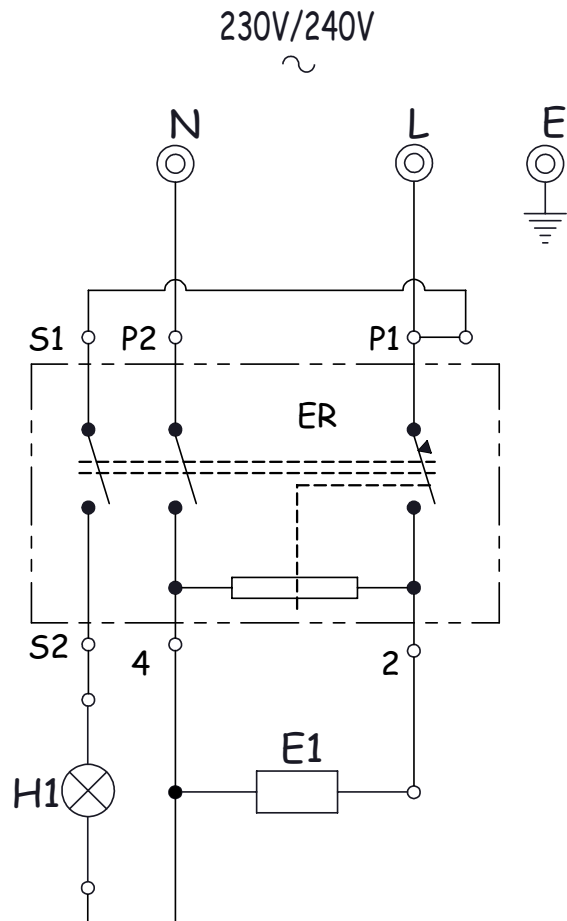
**WIRING DIAGRAM
STANDARD WATER URNS
MODEL CODE: URS0012 R02/URS0016 R02
URS0020 R02/URS0030 R02**

LEGEND	DESCRIPTION	PART NUMBER
ER	ENERGY REGULATOR	1-ER-URS0012
E1	TOP ELEMENT 2700W/230V	5-2700W-URN
H1	CONTROL PILOT LIGHT	1-PL-GP



WIRING DIAGRAM
STANDARD WATER URNS
MODEL CODE: URS0012-ICE R02/URS0016-ICE R02
URS0020-ICE R02/URS0030-ICE R02

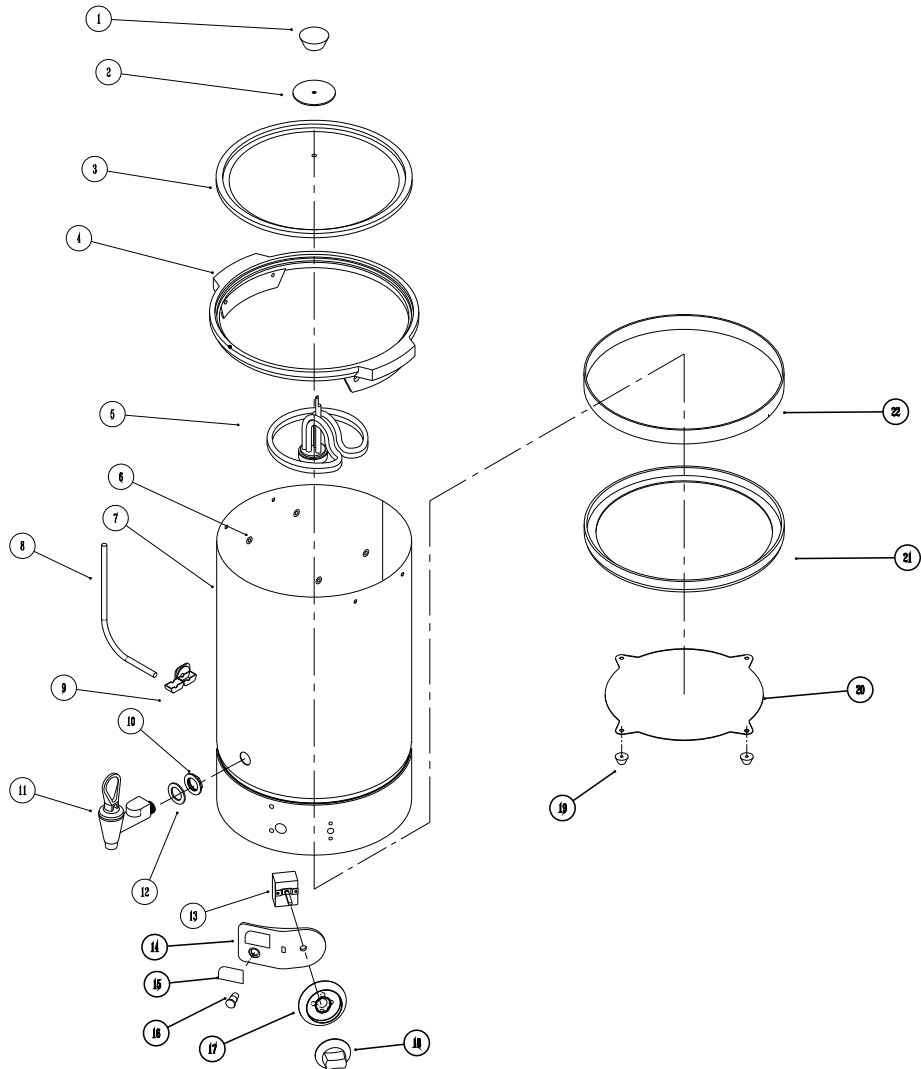
LEGEND	DESCRIPTION	PART NUMBER
ER	ENERGY REGULATOR	1-ER-URS0012
E1	TOP ELEMENT 2400W/230V	5-2400W-URN
H1	CONTROL PILOT LIGHT	1-PL-GP



MODEL: DELUX WATER URN
MODEL CODE : URB0012/URB0016/URB0020
URB0030 R02

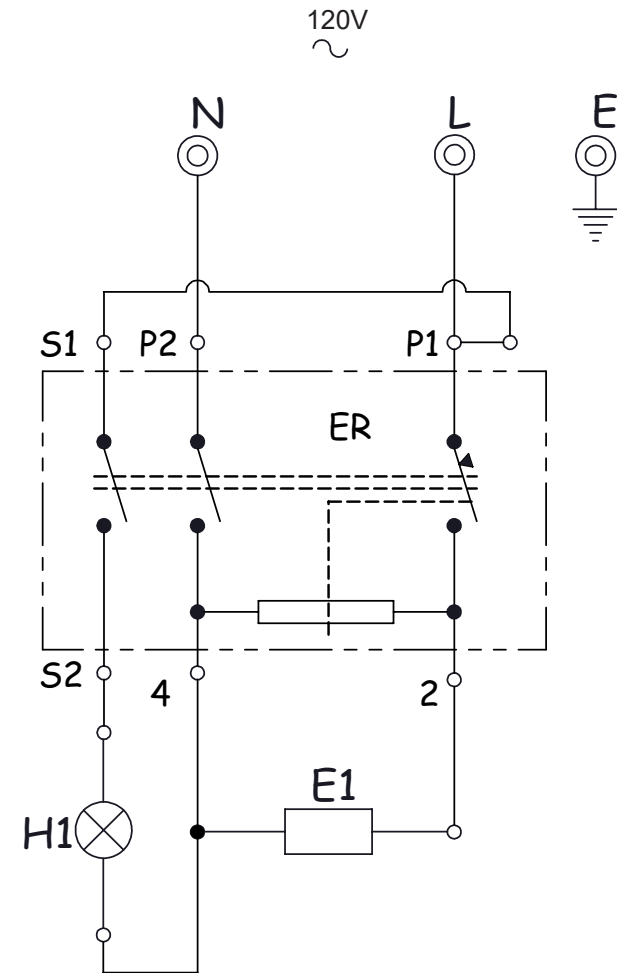
Part No.	Description
1	LID KNOB
2	LID KNOB FINGER PLATE
3	URN LID
4	URN LID FLANGE
5	ELEMENT
6	HANDLE SCREWS SEALING WASHER
7	STAINLESS STEEL TANK
8	POWER CORD
9	CABLE GRIP
10	DRAIN VALVE LOCK NUT
11	PLASTIC DRAIN VALVE
12	SEALING WASHER
13	ENERGY REGULATOR
14	URN CONTROL PANEL
15	LOGO
16	PILOT LIGHT
17	BEZEL
18	CONTROL KNOB
19	SMALL RUBBER FOOT
20	GALVANISED BOTTOM COVER
21	BASE SEAL
22	SOLID SILICONE SEAL

**EXPLODED DIAGRAM
DELUX WATER URN
MODEL CODE: URB0012 R02/URB0016 R02/URB0020 R02
URB0030 R02**



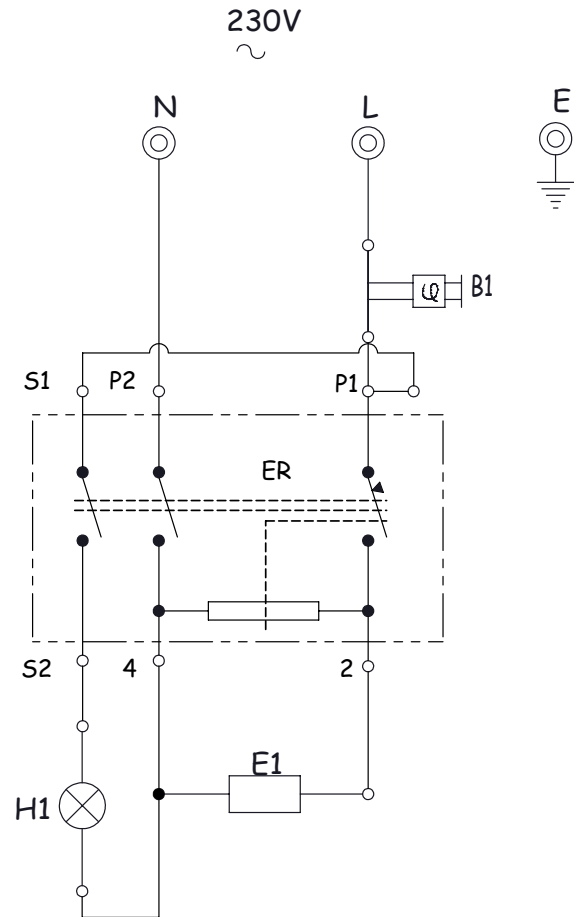
**WIRING DIAGRAM
STANDARD WATER URNS
MODEL CODE: URS0012-120 R02/URS0016-120 R02
URS0020-120 R02/URS0030-120 R02**

LEGEND	DESCRIPTION	PART NUMBER
ER	ENERGY REGULATOR	1-EGO-ER-120V
E1	TOP ELEMENT 1800W/120V	5-120V-1800W-UN
H1	CONTROL PILOT LIGHT	1-PL-AMB



**WIRING DIAGRAM
DELUX WATER URNS
MODEL CODE: URB0012 R02/URB0016 R02
URB0020 R02/URB0030 R02**

LEGEND	DESCRIPTION	PART NUMBER
ER	ENERGY REGULATOR	1-ER-URS0012
E1	TOP ELEMENT 2700W/230V	5-2700W-URB1012
H1	CONTROL PILOT LIGHT	1-PL-GP
B1	SAFETY THERMOSTAT	1-THERM-URB0012



**WIRING DIAGRAM
DELUX WATER URNS
MODEL CODE: URB0012-120 R02/URB0016-120 R02
URB0020-120 R02/URB0030-120 R02**

LEGEND	DESCRIPTION	PART NUMBER
ER	ENERGY REGULATOR	1-EGO-ER-120V
E1	TOP ELEMENT 1800W/120V	5-120V-1800W-URN
H1	CONTROL PILOT LIGHT	1-PL-AMB
B1	SAFETY THERMOSTAT	1-THERM-URB0012

