

## HOT FOOD BAR 3 DIVISION

MANUFACTURING  
SINCE 1966



**Model: BMA4003**



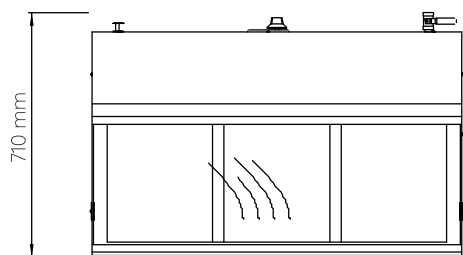
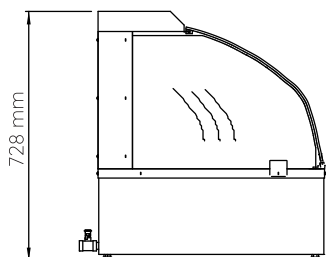
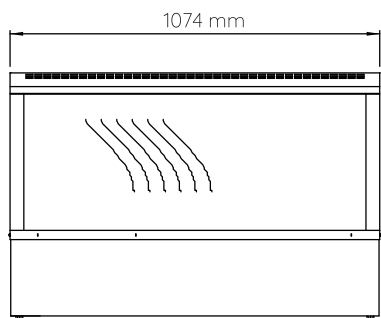
### FEATURES

- Counter top unit can be fitted on or into counter
  - Robust Stainless Steel construction
  - Curved front glass providing great display of product and acting as a sneeze guard
  - Specially designed element to ensure excellent heat distribution
  - Illuminated via fluorescent lighting for perfect product presentation
  - Adjustable feet for levelling on uneven surfaces
- NOTE:**  
◦ Inserts Sold Separately



ALL ANVIL EQUIPMENT COMES WITH A TWO YEAR WARRANTY ON COMPONENTS AND DEFECTIVE WORKMANSHIP.

[www.anvilworld.com](http://www.anvilworld.com)

**Model: BMA4003**

**SPECIFICATIONS**

POWER	1.8kW
VOLTAGE	230V - 50Hz
PACKAGING (W x D x H)	1240 x 830 x 970 (mm)
UNIT (W x D x H)	1074 x 710 x 728 (mm)
NET WEIGHT	95kg
GROSS WEIGHT	70kg
SHIPPING VOLUME	1.0m <sup>3</sup>
DIVISIONS	3

AVAILABLE IN

 120V/60Hz

**NOTE**

- When viewing the appliance from the front in its usual operating position, the width (W) of the product is the total distance from left to right; the depth (D) of the product is the total distance from the front to the back; the height (H) is the total distance from the bottom of the product to the top. Pictures may vary from actual product.

**DISCLAIMER**

- Output performance figures quoted are dependent on various factors. Anvil reserves the right, without notice, to make changes and revisions to product specifications, materials and design, when we believe it will provide better performance, durability, and efficiency. Unit measurements may vary depending on point of reference.



**ALL ANVIL EQUIPMENT COMES WITH A TWO YEAR WARRANTY ON COMPONENTS AND DEFECTIVE WORKMANSHIP.**

[www.anvilworld.com](http://www.anvilworld.com)