

BOILING TABLE 2 BURNER

MANUFACTURING
SINCE 1966



Model: BTG2002 - STRAIGHT



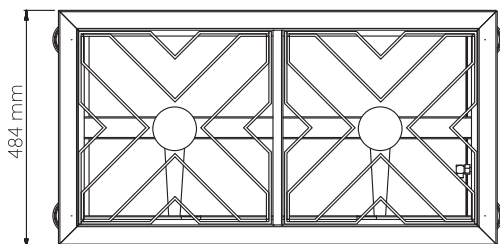
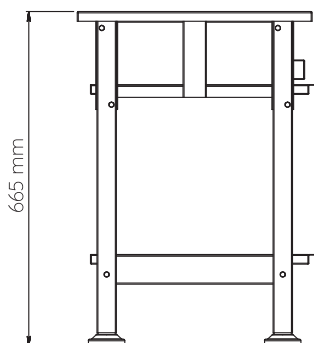
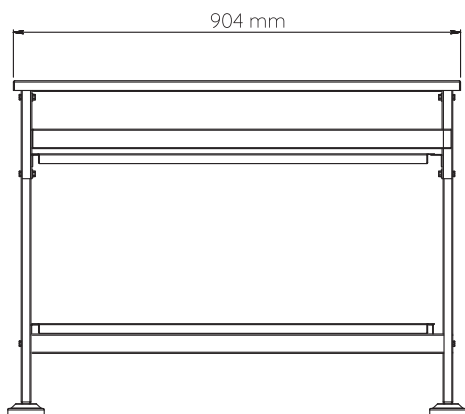
FEATURES

- Painted mild steel construction
 - High quality fabricated support grates
 - Suitable for a large range of pot sizes
 - Adjustable levelling feet
 - Robust construction
- NOTE:**
- Flat packed for easy transport



ALL ANVIL EQUIPMENT COMES WITH A TWO YEAR WARRANTY ON COMPONENTS AND DEFECTIVE WORKMANSHIP.

www.anvilworld.com

Model: BTG2002

SPECIFICATIONS

OUTPUT	36 000 BTU
PACKAGING (W x D x H)	940 x 540 x 320 (mm)
UNIT (W x D x H)	904 x 484 x 665 (mm)
NET WEIGHT	27kg
GROSS WEIGHT	30kg
SHIPPING VOLUME	0.16m ³
SURFACE	Straight
GRID SIZE	400 x 400 (mm)(2 off)
REGULATOR	Yes

AVAILABLE IN

 LPG | Ngas

NOTE

- When viewing the appliance from the front in its usual operating position, the width (W) of the product is the total distance from left to right; the depth (D) of the product is the total distance from the front to the back; the height (H) is the total distance from the bottom of the product to the top. Pictures may vary from actual product.

DISCLAIMER

- Output performance figures quoted are dependent on various factors. Anvil reserves the right, without notice, to make changes and revisions to product specifications, materials and design, when we believe it will provide better performance, durability, and efficiency. Unit measurements may vary depending on point of reference.



ALL ANVIL EQUIPMENT COMES WITH A TWO YEAR WARRANTY ON COMPONENTS AND DEFECTIVE WORKMANSHIP.

www.anvilworld.com