

## BOILING TABLE 4 BURNER



MANUFACTURING  
SINCE 1966

**Model: BTG3004 - STAGGERED**



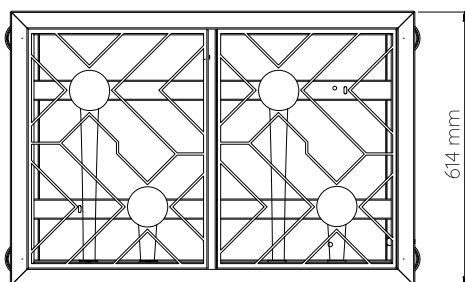
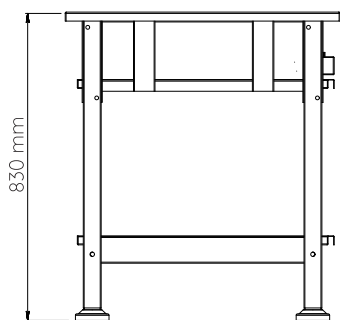
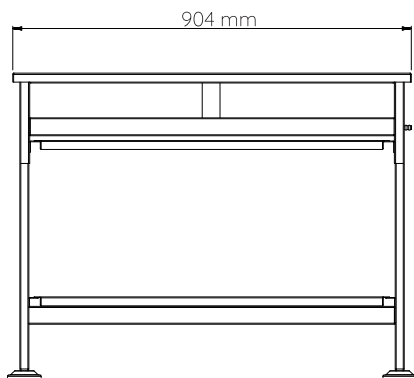
### FEATURES

- Painted mild steel construction
  - High quality fabricated support grates
  - Suitable for a large range of pot sizes
  - Adjustable levelling feet
  - Robust construction
- NOTE:**
- Flat packed for easy transport



ALL ANVIL EQUIPMENT COMES WITH A TWO YEAR WARRANTY ON COMPONENTS AND DEFECTIVE WORKMANSHIP.

[www.anvilworld.com](http://www.anvilworld.com)

**Model: BTG3004**

**SPECIFICATIONS**

OUTPUT	72 000 BTU
PACKAGING (W x D x H)	940 x 680 x 320 (mm)
UNIT (W x D x H)	904 x 614 x 830 (mm)
NET WEIGHT	36kg
GROSS WEIGHT	39kg
SHIPPING VOLUME	0.2m <sup>3</sup>
SURFACE	Staggered
GRID SIZE	530 x 400 (mm)(2 off)
REGULATOR	No

AVAILABLE IN

 LPG |  Ngas

**NOTE**

- When viewing the appliance from the front in its usual operating position, the width (W) of the product is the total distance from left to right; the depth (D) of the product is the total distance from the front to the back; the height (H) is the total distance from the bottom of the product to the top. Pictures may vary from actual product.

**DISCLAIMER**

- Output performance figures quoted are dependent on various factors. Anvil reserves the right, without notice, to make changes and revisions to product specifications, materials and design, when we believe it will provide better performance, durability, and efficiency. Unit measurements may vary depending on point of reference.


**ALL ANVIL EQUIPMENT COMES WITH A TWO YEAR WARRANTY ON COMPONENTS AND DEFECTIVE WORKMANSHIP.**
[www.anvilworld.com](http://www.anvilworld.com)