

ROTISSERIE 8 BIRD

MANUFACTURING
SINCE 1966



Model: CGA0008



FEATURES

- Produces 8 delicious chickens at a time (Average weight of 1.2kg per Chicken)
- Ideal for small supermarkets, restaurants, takeaways, etc
- Operating temperature: 50°C - 250°C
- Internal light to enhance the view of the chickens at all times
- Full Stainless Steel construction with Chrome plated wire baskets and fully removable drip tray for ease of cleaning
- A timer is fitted for controlled operation. A bypass function is provided on the timer for continuous use
- Glass front and rear makes this a good point of sale unit as the customer can see the product at all times
- Unique heating system ensures uniform temperature distribution
- Cooking time: Approx 1 hour 40min at 180°C

NOTE:

- Drip tray included



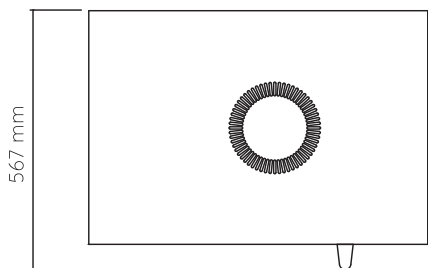
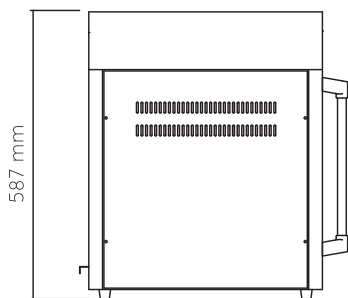
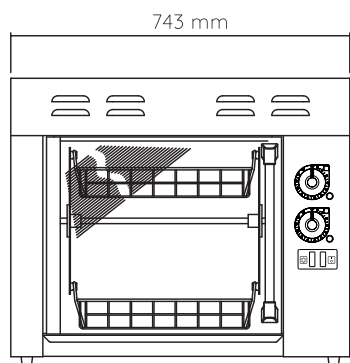
ALL ANVIL EQUIPMENT COMES WITH A TWO YEAR WARRANTY ON COMPONENTS AND DEFECTIVE WORKMANSHIP.

www.anvilworld.com

Model: CGA0008
SPECIFICATIONS

POWER	2.7kW
VOLTAGE	230V - 50Hz
PACKAGING (W x D x H)	850 x 630 x 700 (mm)
UNIT (W x D x H)	743 x 567 x 587 (mm)
NET WEIGHT	35kg
GROSS WEIGHT	46kg
SHIPPING VOLUME	0.37m ³

AVAILABLE IN

 230V/60Hz

NOTE

- When viewing the appliance from the front in its usual operating position, the width (W) of the product is the total distance from left to right; the depth (D) of the product is the total distance from the front to the back; the height (H) is the total distance from the bottom of the product to the top. Pictures may vary from actual product.

DISCLAIMER

- Output performance figures quoted are dependent on various factors. Anvil reserves the right, without notice, to make changes and revisions to product specifications, materials and design, when we believe it will provide better performance, durability, and efficiency. Unit measurements may vary depending on point of reference.



ALL ANVIL EQUIPMENT COMES WITH A TWO YEAR WARRANTY ON COMPONENTS AND DEFECTIVE WORKMANSHIP.

www.anvilworld.com