

# 3 PLATE SOLID TOP STOVE WITH GAS OVEN

MANUFACTURING  
SINCE 1966



**Model: COA3003**



## FEATURES

- Ideal general purpose stove for institutions and large scale catering facilities especially in area's without stable electrical supply
- Heavy duty full Stainless Steel construction
- Piezo Igniters with pilot burners
- Robust Stainless Steel oven construction with heavy duty door and hinges
- Removable drip tray beneath stove top to retain spills aided by specially designed burner box system
- Removable top plates for easy access to burners
- Automatic flame failure device shuts off gas in the event of flame going out
- "Cool to touch" die-cast control knobs
- Fitted with chrome plated steel wire shelves
- For use with pots only and should not be used as griddle plates
- Heavy duty top plates retain heat
- Flush fit top plates allow oversize pots to be used
- Compliments existing Anvil stove range
- Gas burner oven with flame failure safety
- Top plates with effective individual drainage
- 15mm plate thickness

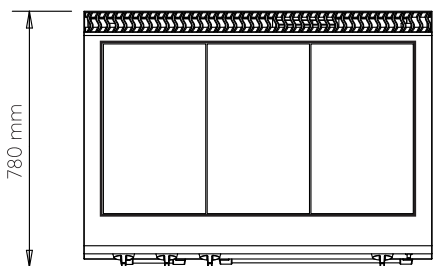
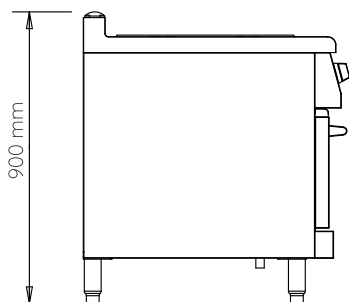
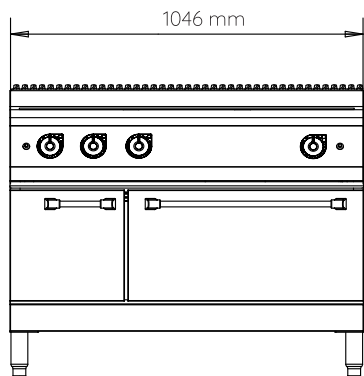
**NOTE:**

- Heavy duty gas products to be connected by approved gas installer



**ALL ANVIL EQUIPMENT COMES WITH A TWO YEAR WARRANTY ON COMPONENTS AND DEFECTIVE WORKMANSHIP.**

[www.anvilworld.com](http://www.anvilworld.com)

**Model: COA3003**

**SPECIFICATIONS**

OUTPUT	61 900 BTU
PACKAGING (W x D x H)	1160 x 920 x 1160 (mm)
UNIT (W x D x H)	1046 x 780 x 900 (mm)
CHAMBER DIMENSIONS	560 x 500 x 285 (mm)
PLATE SIZE	325 x 540 (mm)(per plate)
PLATES	3
NET WEIGHT	199kg
GROSS WEIGHT	225kg
SHIPPING VOLUME	1.24m <sup>3</sup>
REGULATOR	No

AVAILABLE IN

 LPG |  Ngas

**NOTE**

- When viewing the appliance from the front in its usual operating position, the width (W) of the product is the total distance from left to right; the depth (D) of the product is the total distance from the front to the back; the height (H) is the total distance from the bottom of the product to the top. Pictures may vary from actual product.

**DISCLAIMER**

- Output performance figures quoted are dependent on various factors. Anvil reserves the right, without notice, to make changes and revisions to product specifications, materials and design, when we believe it will provide better performance, durability, and efficiency. Unit measurements may vary depending on point of reference.



**ALL ANVIL EQUIPMENT COMES WITH A TWO YEAR WARRANTY ON COMPONENTS AND DEFECTIVE WORKMANSHIP.**

[www.anvilworld.com](http://www.anvilworld.com)