

6 BURNER STOVE WITH OVEN

MANUFACTURING
SINCE 1966



Model: COA3106 - PILOT BURNER



FEATURES

- Robust Stainless Steel construction with heavy duty door and hinges
- Easily removable cast iron grates
- Powerful stove top burners are easily removable for cleaning
- Removable drip tray beneath stove top to retain spills
- Thermostatically controlled gas oven takes full gastronorm pans
- “Cool to touch” die-cast control knobs
- Suitable for LPG or natural gas (requires conversion by a licenced technician)
- Fitted with chrome plated steel wire shelves
- Useful side storage cupboard

NOTE:

- Heavy duty gas products to be connected by approved gas installer

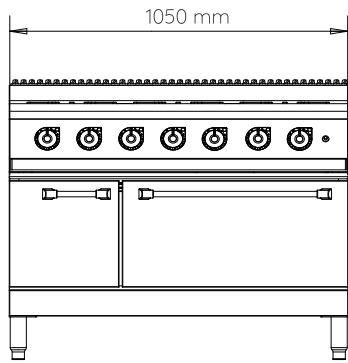


ALL ANVIL EQUIPMENT COMES WITH A TWO YEAR WARRANTY ON COMPONENTS AND DEFECTIVE WORKMANSHIP.

www.anvilworld.com



Model: COA3106

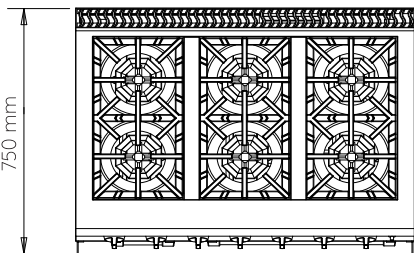
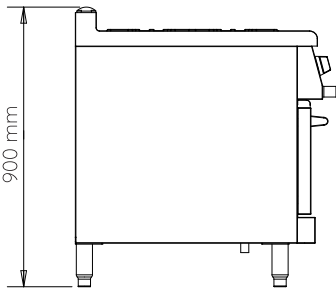


SPECIFICATIONS

OUTPUT	171 700 BTU
PACKAGING (W x D x H)	1160 x 910 x 1160 (mm)
UNIT (W x D x H)	1050 x 750 x 900 (mm)
CHAMBER DIMENSIONS	560 x 630 x 285 (mm)
NET WEIGHT	230kg
GROSS WEIGHT	235kg
SHIPPING VOLUME	1.22m ³
GRID SIZE	276 x 527 (mm)(3 off)
REGULATOR	No

AVAILABLE IN

LPG | Ngas



NOTE

- When viewing the appliance from the front in its usual operating position, the width (W) of the product is the total distance from left to right; the depth (D) of the product is the total distance from the front to the back; the height (H) is the total distance from the bottom of the product to the top. Pictures may vary from actual product.

DISCLAIMER

- Output performance figures quoted are dependent on various factors. Anvil reserves the right, without notice, to make changes and revisions to product specifications, materials and design, when we believe it will provide better performance, durability, and efficiency. Unit measurements may vary depending on point of reference.



ALL ANVIL EQUIPMENT COMES WITH A TWO YEAR WARRANTY ON COMPONENTS AND DEFECTIVE WORKMANSHIP.

www.anvilworld.com