

REFRIGERATED DISPLAY 1200mm COUNTERTOP

MANUFACTURING
SINCE 1966



Model: DFC4200



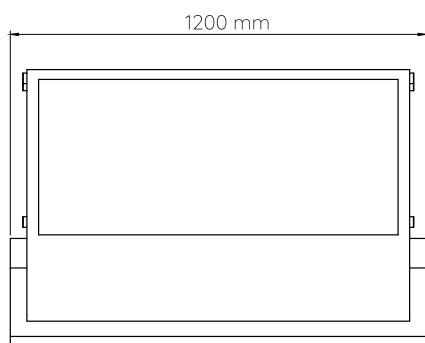
FEATURES

- Temperature range +2°C to +8°C ambient temperature of 32°C
- LED illuminated shelf and base for perfect product presentation
- Digital display and temperature control for high accuracy
- Automatic defrost
- Low noise
- Heated Tempered glass
- Grade 304 Stainless Steel interior
- Double glazed windows



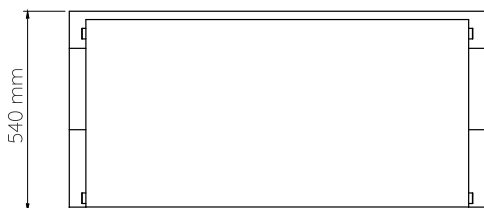
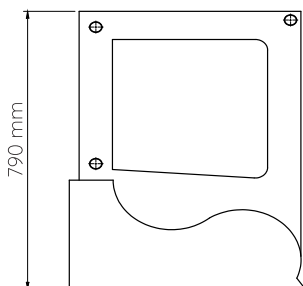
ALL ANVIL EQUIPMENT COMES WITH A TWO YEAR WARRANTY ON COMPONENTS AND DEFECTIVE WORKMANSHIP.

www.anvilworld.com

Model: DFC4200

SPECIFICATIONS

POWER	0.562kW
VOLTAGE	230V - 50Hz
PACKAGING (W x D x H)	1320 x 620 x 975 (mm)
UNIT (W x D x H)	1200 x 540 x 790 (mm)
NET WEIGHT	122kg
GROSS WEIGHT	140kg
SHIPPING VOLUME	0.8m ³
TEMPERATURE	+2°C to +8°C at ambient temperature +32°C
CAPACITY	190ℓ
SHELVES	2

AVAILABLE IN

 120V/60Hz

NOTE

- When viewing the appliance from the front in its usual operating position, the width (W) of the product is the total distance from left to right; the depth (D) of the product is the total distance from the front to the back; the height (H) is the total distance from the bottom of the product to the top. Pictures may vary from actual product.

DISCLAIMER

- Output performance figures quoted are dependent on various factors. Anvil reserves the right, without notice, to make changes and revisions to product specifications, materials and design, when we believe it will provide better performance, durability, and efficiency. Unit measurements may vary depending on point of reference.



ALL ANVIL EQUIPMENT COMES WITH A TWO YEAR WARRANTY ON COMPONENTS AND DEFECTIVE WORKMANSHIP.

www.anvilworld.com