

# REFRIGERATED DISPLAY 1500mm COUNTERTOP

MANUFACTURING  
SINCE 1966



**Model: DFC4500**



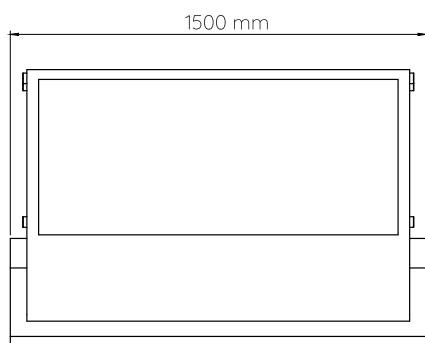
## FEATURES

- Temperature range +2°C to +8°C ambient temperature of 32°C
- LED illuminated shelf and base for perfect product presentation
- Digital display and temperature control for high accuracy
- Automatic defrost
- Low noise
- Heated Tempered glass
- Grade 304 Stainless Steel interior
- Double glazed windows



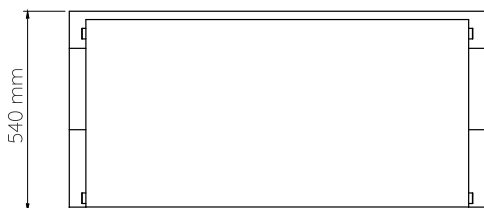
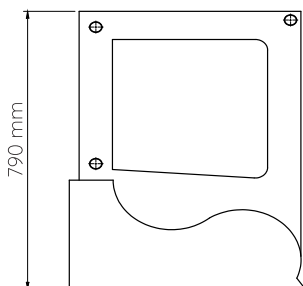
ALL ANVIL EQUIPMENT COMES WITH A TWO YEAR WARRANTY ON COMPONENTS AND DEFECTIVE WORKMANSHIP.

[www.anvilworld.com](http://www.anvilworld.com)

**Model: DFC4500**

**SPECIFICATIONS**

POWER	0.598kW
VOLTAGE	230V - 50Hz
PACKAGING (W x D x H)	1620 x 620 x 975 (mm)
UNIT (W x D x H)	1500 x 540 x 790 (mm)
NET WEIGHT	145kg
GROSS WEIGHT	162kg
SHIPPING VOLUME	0.98m <sup>3</sup>
TEMPERATURE	+2°C to +8°C at ambient temperature +32°C
CAPACITY	240ℓ
SHELVES	2

AVAILABLE IN

 120V/60Hz

**NOTE**

- When viewing the appliance from the front in its usual operating position, the width (W) of the product is the total distance from left to right; the depth (D) of the product is the total distance from the front to the back; the height (H) is the total distance from the bottom of the product to the top. Pictures may vary from actual product.

**DISCLAIMER**

- Output performance figures quoted are dependent on various factors. Anvil reserves the right, without notice, to make changes and revisions to product specifications, materials and design, when we believe it will provide better performance, durability, and efficiency. Unit measurements may vary depending on point of reference.



**ALL ANVIL EQUIPMENT COMES WITH A TWO YEAR WARRANTY ON COMPONENTS AND DEFECTIVE WORKMANSHIP.**

[www.anvilworld.com](http://www.anvilworld.com)