

HEATED DISPLAY UNIT 900mm COUNTERTOP

MANUFACTURING
SINCE 1966



Model: DHC4900



FEATURES

- Robust Stainless Steel outer body
- Temperature range 40°C to 75°C @ ambient temperature of 32°C
- Will maintain displayed product at HACCP control temperature
- Illuminated shelf and base for perfect product presentation
- Digital display and temperature control for high accuracy
- Grade 304 Stainless Steel interior

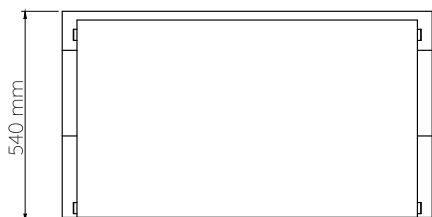
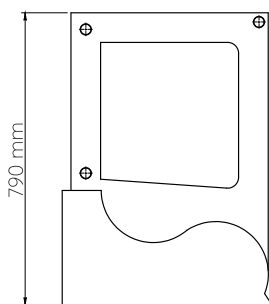
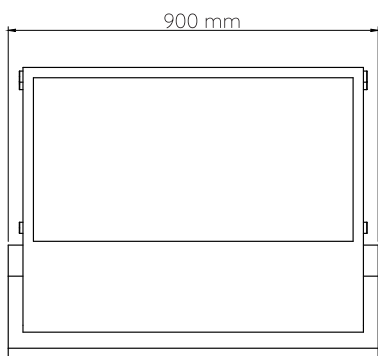
NOTE:

- Unit provided with 1 adjustable shelf & fixed bottom shelf



ALL ANVIL EQUIPMENT COMES WITH A TWO YEAR WARRANTY ON COMPONENTS AND DEFECTIVE WORKMANSHIP.

www.anvilworld.com

Model: DHC4900

SPECIFICATIONS

VOLTAGE	230V - 50Hz
PACKAGING (W x D x H)	1020 x 630 x 980 (mm)
UNIT (W x D x H)	900 x 540 x 790 (mm)
NET WEIGHT	80kg
GROSS WEIGHT	99kg
SHIPPING VOLUME	0.63m ³
SHELVES	2
CAPACITY	140ℓ

AVAILABLE IN

 120V/60Hz

NOTE

- When viewing the appliance from the front in its usual operating position, the width (W) of the product is the total distance from left to right; the depth (D) of the product is the total distance from the front to the back; the height (H) is the total distance from the bottom of the product to the top. Pictures may vary from actual product.

DISCLAIMER

- Output performance figures quoted are dependent on various factors. Anvil reserves the right, without notice, to make changes and revisions to product specifications, materials and design, when we believe it will provide better performance, durability, and efficiency. Unit measurements may vary depending on point of reference.



ALL ANVIL EQUIPMENT COMES WITH A TWO YEAR WARRANTY ON COMPONENTS AND DEFECTIVE WORKMANSHIP.

www.anvilworld.com