

DIP - A - LAIT 2 DIVISION

MANUFACTURING
SINCE 1966



Model: DLA0002



FEATURES

- The Anvil Dip-A-Lait warmer is designed for countertop use and can be used for either dry or wet application
- Made from Stainless Steel with four non-slip feet
- Lid has carry handle and two serving spoon slots
- Pilot light indicates when elements are energised
- Variable heat control
- Dry heat
- For ice cream dips, chocolate and caramel sauces and even gravies

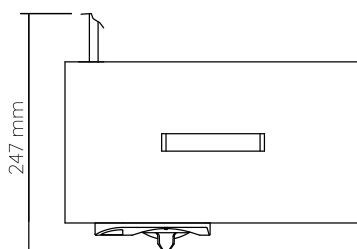
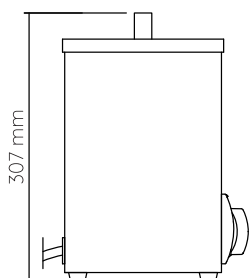
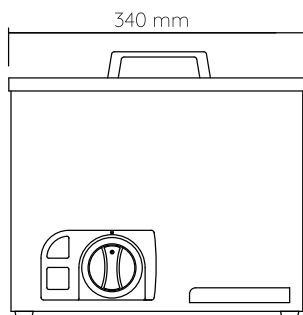
NOTE:

- Includes 2 inserts (2 x 2ℓ)



ALL ANVIL EQUIPMENT COMES WITH A TWO YEAR WARRANTY ON COMPONENTS AND DEFECTIVE WORKMANSHIP.

www.anvilworld.com

Model: DLA0002

SPECIFICATIONS

POWER	0.125kW
VOLTAGE	230V - 50Hz
PACKAGING (W x D x H)	380 x 260 x 380 (mm)
UNIT (W x D x H)	340 x 247 x 307 (mm)
NET WEIGHT	4kg
GROSS WEIGHT	4.3kg
SHIPPING VOLUME	0.04m ³
CAPACITY	4ℓ

AVAILABLE IN

 120V/60Hz

NOTE

- When viewing the appliance from the front in its usual operating position, the width (W) of the product is the total distance from left to right; the depth (D) of the product is the total distance from the front to the back; the height (H) is the total distance from the bottom of the product to the top. Pictures may vary from actual product.

DISCLAIMER

- Output performance figures quoted are dependent on various factors. Anvil reserves the right, without notice, to make changes and revisions to product specifications, materials and design, when we believe it will provide better performance, durability, and efficiency. Unit measurements may vary depending on point of reference.



ALL ANVIL EQUIPMENT COMES WITH A TWO YEAR WARRANTY ON COMPONENTS AND DEFECTIVE WORKMANSHIP.

www.anvilworld.com