

DOUBLE DECK OVEN 2 TRAYS PER DECK

MANUFACTURING
SINCE 1966



Model: DOA3002



FEATURES

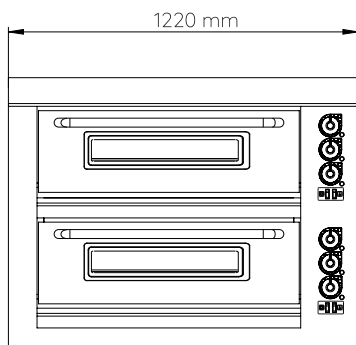
- Robust construction
- Front face Stainless Steel
- Side, top and rear panels painted mild steel
- 120 Min mechanical timer
- Max temperature 300°C
- Glass viewing window
- Top and bottom elements are independently controlled
- Interior light
- Fits 8 Standard size pizzas 300mm

- NOTE:**
- 4 x Baking Trays Included



ALL ANVIL EQUIPMENT COMES WITH A TWO YEAR WARRANTY ON COMPONENTS AND DEFECTIVE WORKMANSHIP.

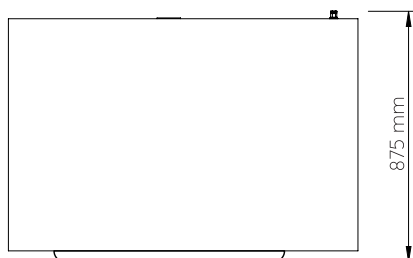
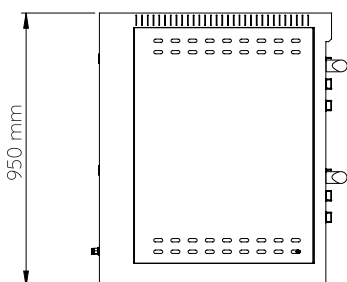
www.anvilworld.com

Model: DOA3002

SPECIFICATIONS

POWER	13kW
VOLTAGE	380V - 50Hz - 3Phase
PACKAGING (W x D x H)	1340 x 940 x 1260 (mm)
UNIT (W x D x H)	1220 x 875 x 950 (mm)
CHAMBER DIMENSIONS	870 x 660 x 200 (mm)(Each)
NET WEIGHT	127kg
GROSS WEIGHT	145kg
SHIPPING VOLUME	1.59m ³
CAPACITY	4 Trays - 600 x 400 (mm)

OPTIONAL EXTRAS
CERAMIC PLATE

CODE	DESCRIPTION
DOA0011	Ceramic Plate - 600 x 400mm


NOTE

- When viewing the appliance from the front in its usual operating position, the width (W) of the product is the total distance from left to right; the depth (D) of the product is the total distance from the front to the back; the height (H) is the total distance from the bottom of the product to the top. Pictures may vary from actual product.

DISCLAIMER

- Output performance figures quoted are dependent on various factors. Anvil reserves the right, without notice, to make changes and revisions to product specifications, materials and design, when we believe it will provide better performance, durability, and efficiency. Unit measurements may vary depending on point of reference.



ALL ANVIL EQUIPMENT COMES WITH A TWO YEAR WARRANTY ON COMPONENTS AND DEFECTIVE WORKMANSHIP.

www.anvilworld.com