



**ANVIL**

# Installation, Operation and Care Manual

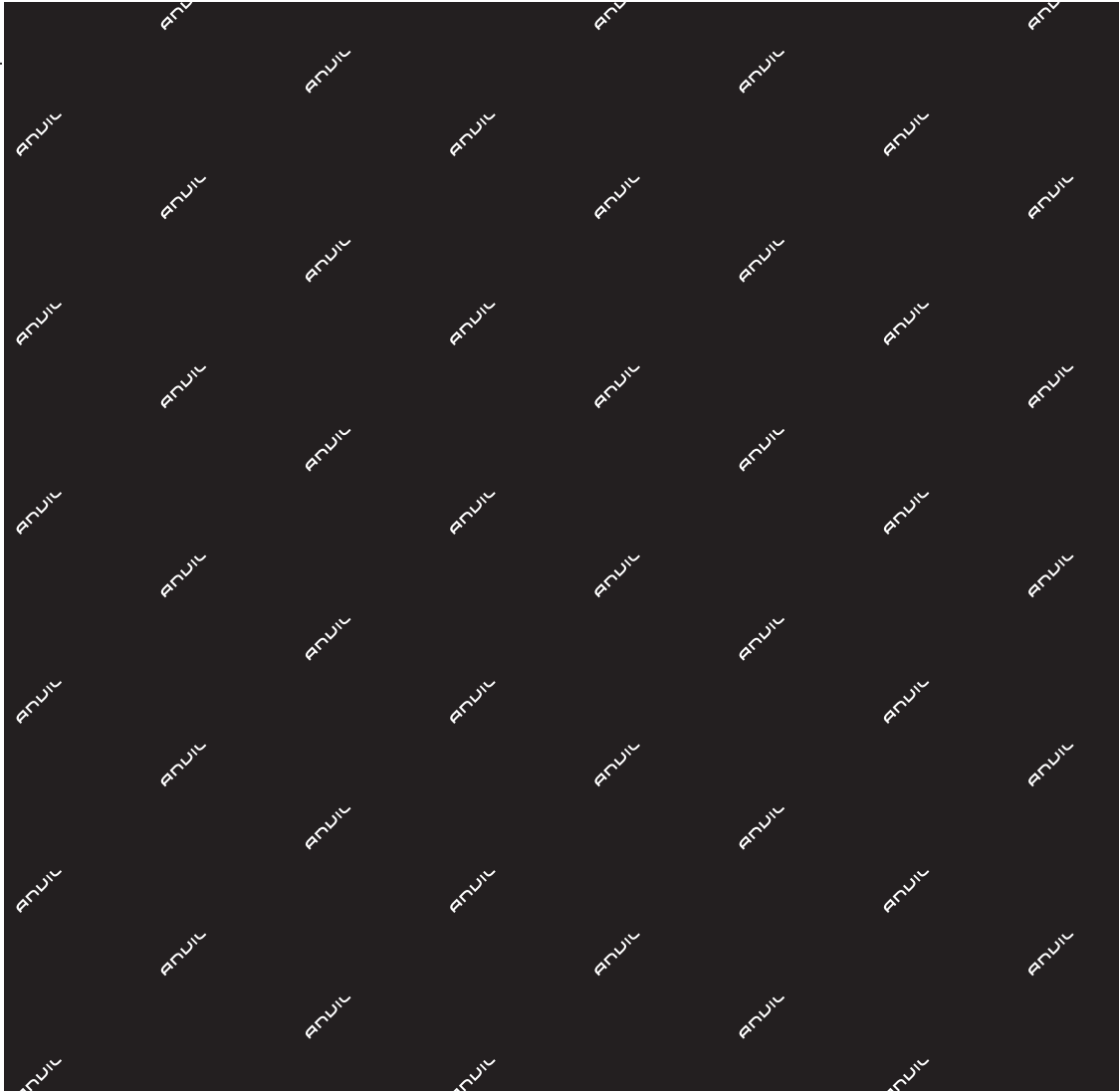


SCAN ME  
TO GO TO  
WARRANTY  
REGISTRATION

MANUFACTURING  
SINCE 1966

4-INS-DLA0002

THE CHEFS COMPANION



THE CHEFS COMPANION



THANK YOU FOR PURCHASING AN ANVIL PRODUCT!



**REGISTER ONLINE TODAY**

Register your warranty on-line at [www.anvilworld.com](http://www.anvilworld.com) today and learn how to get the best out of your Anvil product, tips to care for your Anvil product for long lasting performance, exciting recipes and more.

**NO WEB ACCESS?**

If you do not have access to the Web, register by completing this form and faxing it to the Anvil head office in South Africa. Fax: +27 11 474 1630

**ONLY COMPLETE IF YOU DO NOT HAVE WEB ACCESS**

Company \_\_\_\_\_

Name \_\_\_\_\_

Surname \_\_\_\_\_

Telephone \_\_\_\_\_

Cellphone \_\_\_\_\_

Email Address \_\_\_\_\_

Country \_\_\_\_\_

Postal address \_\_\_\_\_

\_\_\_\_\_

\_\_\_\_\_

Anvil products purchased \_\_\_\_\_

Code (see box label) \_\_\_\_\_

Serial number (see back of machine) \_\_\_\_\_

**INTENDED USE**

- Full-Service restaurant
- Coffee Shop / Deli
- Fast Food Outlet
- Hotel
- Bed & Breakfast
- School Cafeteria

- Institutional Cafeteria
- Corporate Catering
- Private Use
- Franchisor
- Convenience Store
- Other

 ALL ANVIL EQUIPMENT COMES WITH A TWO YEAR WARRANTY ON COMPONENTS AND DEFECTIVE WORKMANSHIP.

[www.anvilworld.com](http://www.anvilworld.com)

## LIMITED WARRANTY

All equipment which is sold under ANVIL trademark and used for commercial purposes is warranted against defects in materials and workmanship. The warranty runs for two years from the date of original installation and is for the benefit of the original purchaser only. All other Warranties, expressed or implied, statutory or otherwise, including without limitations any implied Warranty of Merchantability or fitness for purpose are excluded. The Seller shall in no event be liable for direct, indirect or consequential damages in connection with ANVIL commercial products.

The Sellers obligation under this Warranty is limited to the repair of defects without charge. Defective units must be taken or shipped, transportation charges prepaid, to ANVIL.

This Warranty is not effective if damage occurs because of accident, carelessness, improper installation, lack of proper set-up, supervision when required or if the equipment is installed or operated in any manner contrary to the installation and operating instructions. In these cases, repairs will be made at a reasonable cost. Work performed by unauthorized personnel or unauthorized service agencies using non Anvil spares voids this Warranty.



**NB:**

### REGISTER ON-LINE TODAY

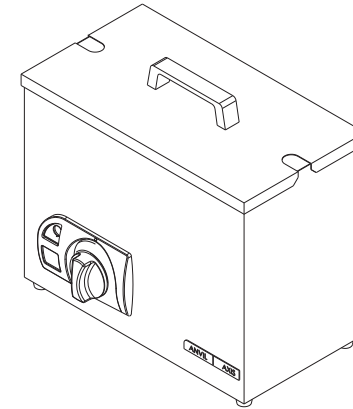
Register your warranty on-line now at [www.anvilworld.com](http://www.anvilworld.com)

### NO WEB ACCESS

If you do not have access to the Web. Kindly register by completing the warranty registration form and fax it to the ANVIL office in the country of purchase.

**Failure to do so will invalidate your warranty.**

## DIP-A-LAIT



**INSTALLATION OPERATION AND CARE OF  
DIP-A-LAIT  
MODEL: DLA0002 R01/DLA0002-120 R01**

## UNPACKING

Unpack the product and check for any damage incurred during transit. This should be reported to the responsible carrier, railway or postal authority, and a request for a damage report should be made.



THESE INSTRUCTIONS MUST BE FOLLOWED FOR US TO GUARANTEE OUR FULL SUPPORT OF YOUR CLAIM FOR PROTECTING AGAINST LOSS FROM CONCEALED DAMAGE. THE FORM FOR FILING SUCH A CLAIM WILL BE PROVIDED BY THE CARRIER.

## GENERAL INSTALLATION AND OPERATION INSTRUCTIONS

1. Place the warmer into mains socket and set energy control to the high position - setting 6. The elements will burn continuously.
2. After initial warm up, set the energy control to the required heat. Please note that the element will cycle on and off at heat settings less than maximum.
3. The warmer is equipped with one pilot light which indicates the control action of the energy control.

**MODEL:DIP-A-LAIT**  
**MODEL CODE : DLA0002 R01**

<b>Part No.</b>	<b>Description</b>
1	PLASTIC HANDLE
2	NITE-LID
3	DIP-A-LAIT INSERT
4	DIPALAIT ELEMENT
5	BODY ASSEMBLY
6	CONTROL PANEL FACIA
7	PILOT LIGHT
8	BEZEL
9	CONTROL KNOB
10	CONTROL PANEL INSERT
11	ANVIL AXIS LOGO
12	SMALL RUBBER FEET
13	GALVANISED BOTTOM COVER
14	ENERGY REGULATOR
15	CABLE GRIP
16	POWER CORD
17	TERMINAL BLOCK



## WARNING

### Burn Hazard.

Do not touch hot food, liquid or heating surfaces while equipment is heating or operating

Hot surfaces and food can burn skin. Allow the hot surfaces to cool before handling

### CLEANING

1. Always ensure that the unit is disconnected from the main power supply before cleaning.
2. This unit should not be cleaned with a water jet or immersed in water. Use only a damp cloth or sponge dipped in soapy water.
3. Wipe off the unit with a dry cloth and wait at least a half an hour before re-connecting to the main power outlet.



CLEAN THE STAINLESS STEEL PARTS WITH WATER AND SOAP. AVOID THE USE OF DETERGENTS CONTAINING ABRASIVE SUBSTANCES. ALWAYS RINSE WELL AND DRY CAREFULLY AFTER CLEANING. DO NOT USE PRODUCTS CONTAINING AGGRESSIVE CHEMICALS, ACIDS OR PRODUCTS WITH CHLORINE TO CLEAN THE STAINLESS STEEL EVEN IF DILUTED



## WARNING

### Electric Shock Hazard.

Keep water and other liquids from entering the inside of the equipment. Liquid inside the equipment could cause an electrical shock

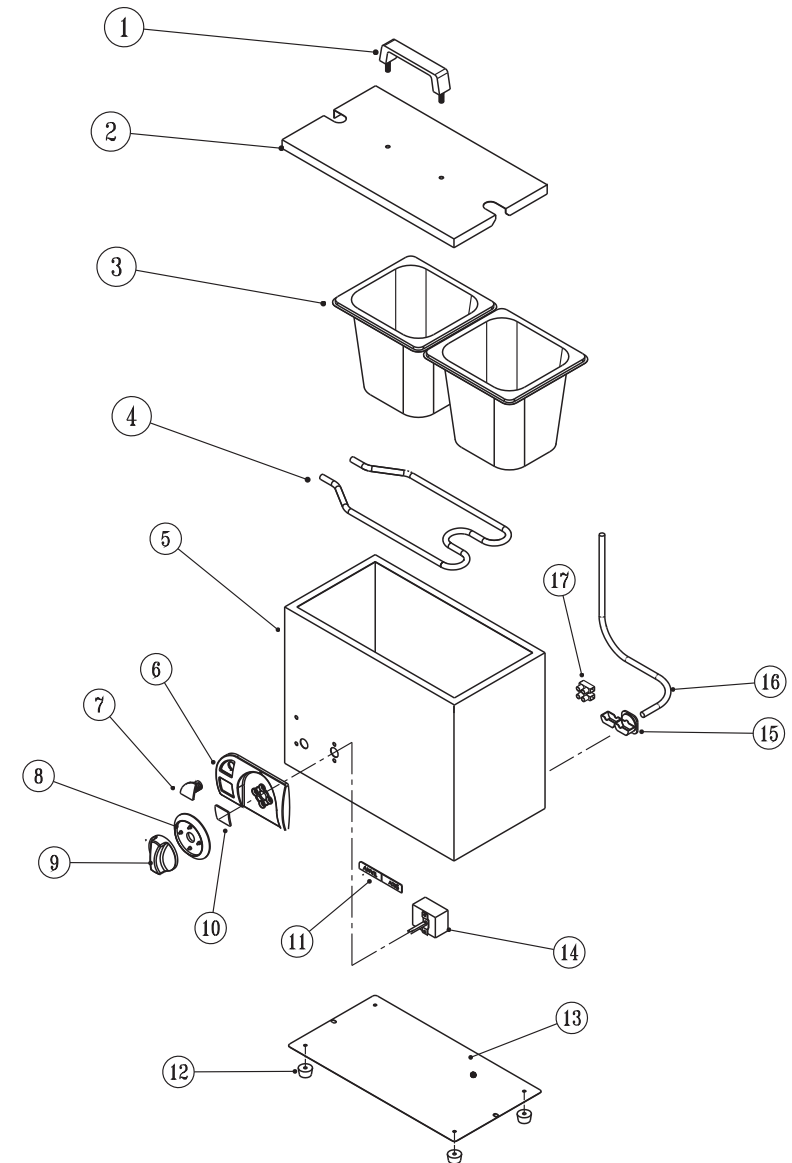
Do not spray water or cleaning products. Liquid could contact the electrical components and cause a short circuit or an electrical shock. Do not use equipment if power cord is damaged or has been modified

## SAFETY

### READ ALL INSTRUCTIONS BEFORE USE. FAILURE TO FOLLOW THESE PRECAUTIONS COULD RESULT IN INJURY TO YOURSELF AND OTHERS

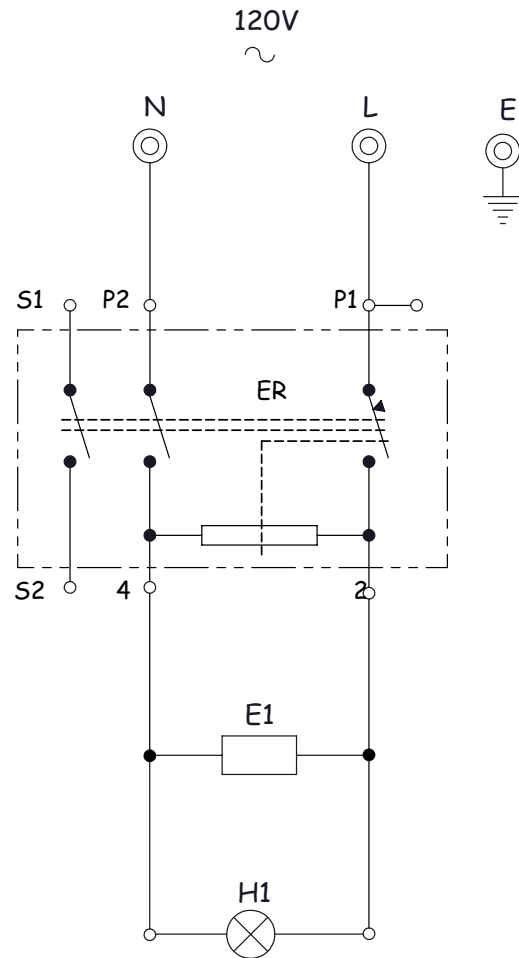
1. When this appliance is to be positioned in close proximity to a wall, partitions, kitchen furniture, decorative finishes, etc. it is recommended that they be made of non-combustible material. If not, they shall be clad with a suitable non-combustible heat insulating material, and the closest attention be paid to fire prevention regulations.
2. Use the multifunction warmer on an individual 15A mains outlet only. **DO NOT OVERLOAD THE CIRCUIT.**
3. Ensure that the equipment and the power supply cord does not come into contact with hot surfaces.
4. Supervision is necessary when the appliance is used in close proximity to children.
5. If the supply cord is damaged, it must be replaced with a new cord assembly available from the suppliers agent. The cord shall be an oil resistant sheathed flexible cable not lighter than ordinary polychloroprene or equivalent synthetic elastomer - sheathed cord (code designation 60245 IEC 57)
6. Use only earthed outlets matching the serial plate voltage.
7. Have equipment installed by a qualified personnel in accordance with local codes and ordinances.
8. Use equipment in a flat level position.
9. Do not operate unattended
10. The equipment may be hot, even though the pilot light is not on.
11. Do not operate if equipment has been damaged or is malfunctioning in any way.
12. These units are designed to run only on alternating current (A.C.) **DO NOT CONNECT TO DIRECT CURRENT (D.C)**

## EXPLODED DIAGRAM DIP-A-LAIT DLA0002 R01

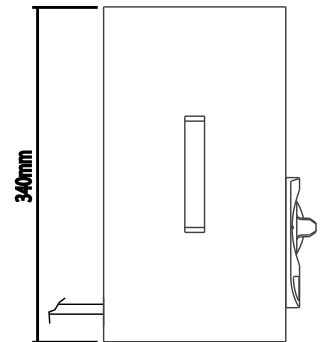
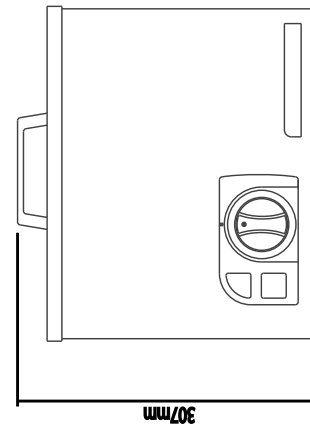
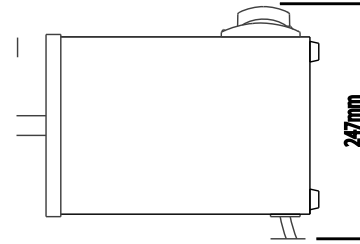


**WIRING DIAGRAM**  
**MODEL CODE: DLA0002-120 R01**  
**MODEL: DIP-A-LAIT**

LEGEND	DESCRIPTION	PART NUMBER
ER	ENERGY REGULATOR	1-EGO-ER-120V
E1	ELEMENT 125W/230V	5-120V-125W-DIP
H1	CONTROL PILOT LIGHT	1-PL-BMA7102



**POSITIONING DIAGRAM**  
**DIP-A-LAIT**  
**DLA0002 R01**



## ELECTRICAL CONNECTION INFORMATION

MODEL	DESCRIPTION	VOLTS (V /Hz)	POWER (W)
DLA0002 R01	DIP-A-LAIT	230/50	125
DLA0002-120	DIP-A-LAIT	120/60	125



IT IS ESSENTIAL TO MAKE SURE THAT THE INCOMING VOLTAGE IS THE SAME AS THE RATED VOLTAGE OF THE OF THE UNIT AS FOUND ON THE SERIAL PLATE. THE SERIAL PLATE IS LOCATED AT THE REAR OF THE UNIT ADJACENT TO THE INCOMING CABLE ENTRY.

## WIRING DIAGRAM MODEL CODE: DLA0002 R01 MODEL: DIP-A-LAIT

LEGEND	DESCRIPTION	PART NUMBER
ER	ENERGY REGULATOR	1-ER-URS0012
E1	ELEMENT 125W/230V	5-125W-DIPALAY
H1	CONTROL PILOT LIGHT	1-PL-BMA0001

