

FLAT TOP GRILLER 600mm

MANUFACTURING
SINCE 1966



Model: FTA6600



FEATURES

- New improved design
- Front mounted easy access drip tray
- Anvil gas griddles are ideal for grilling steaks, chops, burgers, mixed grill, fish, pancakes, eggs, sausages, tomatoes etc. Gas griddles are also ideal for use outdoors, and in areas where electricity is unavailable.
- Easy to connect
- Ignition mechanism for easy igniting
- Flame failure device which shut down the gas supply should the flame go out
- Adjustable feet for levelling the unit
- Regulator supplied works off low pressure (2.8kPa) liquefied petroleum gas, and is suitable for large cylinders (from 9kg to 48kg). To use a smaller portable cylinder, a coupling connector and a suitable regulator must be purchased separately.

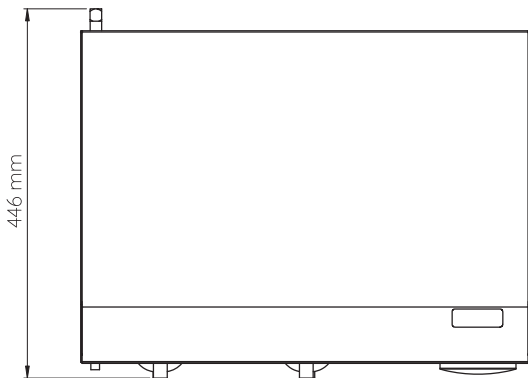
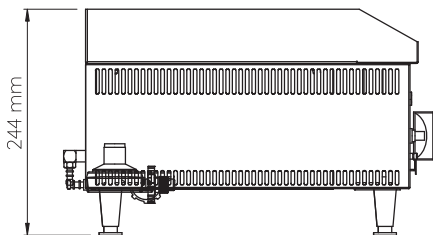
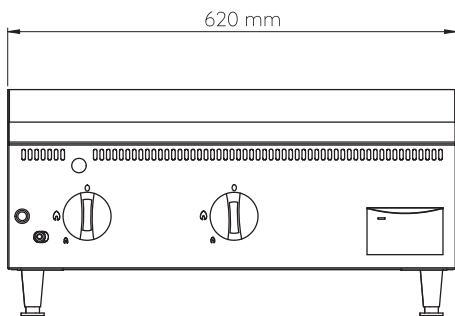
NOTE:

- 1m flexible hose and regulator supplied
- Heavy duty gas products to be connected by approved gas installer



ALL ANVIL EQUIPMENT COMES WITH A TWO YEAR WARRANTY ON COMPONENTS AND DEFECTIVE WORKMANSHIP.

www.anvilworld.com

Model: FTA6600

SPECIFICATIONS

OUTPUT	25 000 BTU
PACKAGING (W x D x H)	695 x 555 x 365 (mm)
UNIT (W x D x H)	620 x 446 x 244 (mm)
NET WEIGHT	28kg
GROSS WEIGHT	31kg
SHIPPING VOLUME	0.14m ³
SURFACE	Flat
GRILL AREA	616 x 400 (mm)
REGULATOR	Yes

AVAILABLE IN
 LPG | Ngas

NOTE

- When viewing the appliance from the front in its usual operating position, the width (W) of the product is the total distance from left to right; the depth (D) of the product is the total distance from the front to the back; the height (H) is the total distance from the bottom of the product to the top. Pictures may vary from actual product.

DISCLAIMER

- Output performance figures quoted are dependent on various factors. Anvil reserves the right, without notice, to make changes and revisions to product specifications, materials and design, when we believe it will provide better performance, durability, and efficiency. Unit measurements may vary depending on point of reference.


ALL ANVIL EQUIPMENT COMES WITH A TWO YEAR WARRANTY ON COMPONENTS AND DEFECTIVE WORKMANSHIP.
www.anvilworld.com