

RADIANT GRILLER 10 BURNER

MANUFACTURING
SINCE 1966



Model: GGA4010 - FREE STANDING



FEATURES

- New improved higher performance
- Powerful efficient burners
- Quality gas valves
- Stainless Steel integrated splash guard
- Base with storage shelf
- Flat grill plates available as an optional extra
- Stainless steel drip tray
- Die cast metal control knobs
- Rear castors for easier cleaning access
- Cast iron radiants for maximum heat retention
- 16000 BTU per burner

NOTE:

- Heavy duty gas products to be connected by approved gas installer
- Drip tray included

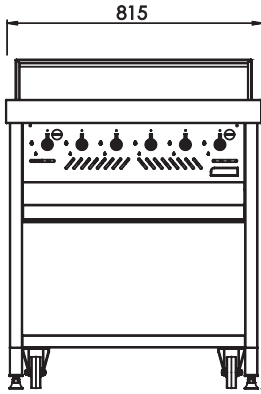


ALL ANVIL EQUIPMENT COMES WITH A TWO YEAR WARRANTY ON COMPONENTS AND DEFECTIVE WORKMANSHIP.

www.anvilworld.com



Model: GGA4010

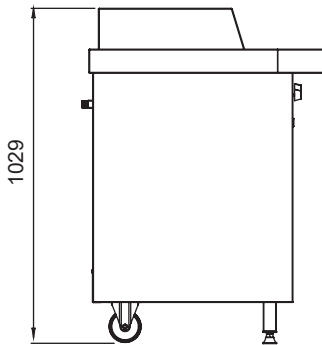


SPECIFICATIONS

OUTPUT	160 000 BTU
PACKAGING (W x D x H)	1300 x 580 x 1165 (mm)
UNIT (W x D x H)	1255 x 740 x 1050 (mm)
NET WEIGHT	91kg
GROSS WEIGHT	1123kg
SHIPPING VOLUME	0.87m ³
SURFACE	Ribbed Grates
GRID AREA	1120 x 470 (mm)
REGULATOR	No

AVAILABLE IN

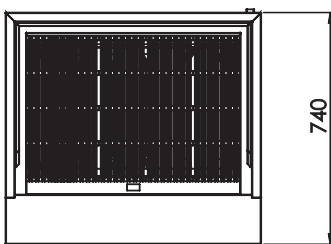
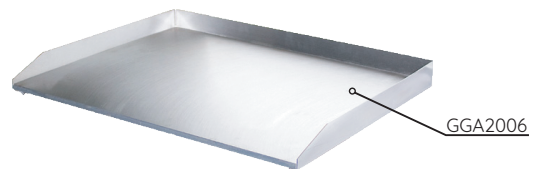
LPG | Ngas



OPTIONAL EXTRAS

GRILL PLATE

CODE	DESCRIPTION
GGA2006	Grill Plate for 6 Burner



NOTE

- When viewing the appliance from the front in its usual operating position, the width (W) of the product is the total distance from left to right; the depth (D) of the product is the total distance from the front to the back; the height (H) is the total distance from the bottom of the product to the top. Pictures may vary from actual product.

DISCLAIMER

- Output performance figures quoted are dependent on various factors. Anvil reserves the right, without notice, to make changes and revisions to product specifications, materials and design, when we believe it will provide better performance, durability, and efficiency. Unit measurements may vary depending on point of reference.



ALL ANVIL EQUIPMENT COMES WITH A TWO YEAR WARRANTY ON COMPONENTS AND DEFECTIVE WORKMANSHIP.

www.anvilworld.com