

ICE CREAM FRIDGE 1500mm COUNTERTOP

MANUFACTURING
SINCE 1966



Model: ICF1500



FEATURES

- Perfect for display of ice cream at point of sale
- Automatic defrost
- Temperature range -15°C to -20°C
- High quality digital temperature controller
- Heated Tempered glass to prevent condensation build up
- Low pressure hermetic compressor R404 gas
- Table top mounting
- Grade 304 Stainless Steel interior

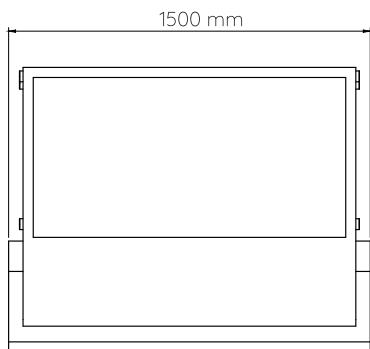
NOTE:

- 9 x Polycarbonate 5ℓ Inserts Included



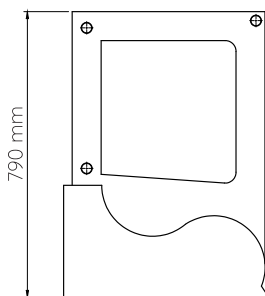
ALL ANVIL EQUIPMENT COMES WITH A TWO YEAR WARRANTY ON COMPONENTS AND DEFECTIVE WORKMANSHIP.

www.anvilworld.com

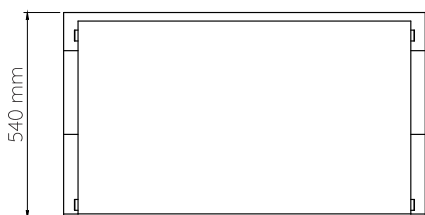
Model: ICF1500

SPECIFICATIONS

POWER	0.5kW
VOLTAGE	230V - 50Hz
PACKAGING (W x D x H)	1610 x 640 x 940 (mm)
UNIT (W x D x H)	1500 x 540 x 790 (mm)
NET WEIGHT	152kg
GROSS WEIGHT	177kg
SHIPPING VOLUME	0.97m ³
TEMPERATURE	-15°C to -20°C
CAPACITY	9 x 5l pans

AVAILABLE IN

 120V/60Hz

OPTIONAL EXTRAS
INSERTS

CODE	DESCRIPTION
XICF0001	Ice Cream Freezer Insert


NOTE

- When viewing the appliance from the front in its usual operating position, the width (W) of the product is the total distance from left to right; the depth (D) of the product is the total distance from the front to the back; the height (H) is the total distance from the bottom of the product to the top. Pictures may vary from actual product.

DISCLAIMER

- Output performance figures quoted are dependent on various factors. Anvil reserves the right, without notice, to make changes and revisions to product specifications, materials and design, when we believe it will provide better performance, durability, and efficiency. Unit measurements may vary depending on point of reference.



ALL ANVIL EQUIPMENT COMES WITH A TWO YEAR WARRANTY ON COMPONENTS AND DEFECTIVE WORKMANSHIP.

www.anvilworld.com