

MEAT SLICER 10" BLADE

MANUFACTURING
SINCE 1966



Model: SLR5010



FEATURES

- Ideal for medium size workloads in small restaurants and take-away operations
- Built-in Blade Sharpener



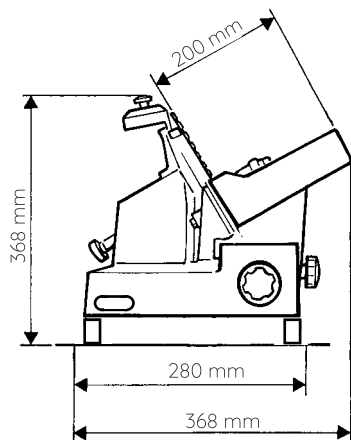
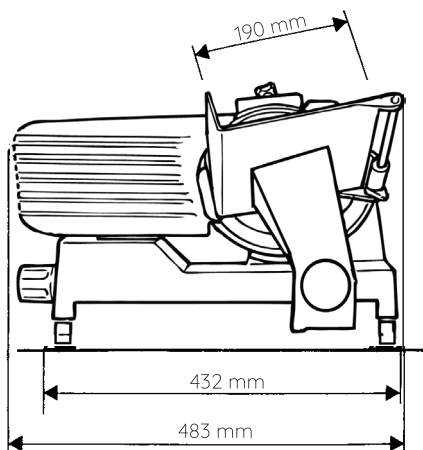
ALL ANVIL EQUIPMENT COMES WITH A TWO YEAR WARRANTY ON COMPONENTS AND DEFECTIVE WORKMANSHIP.

www.anvilworld.com

Model: SLR5010
SPECIFICATIONS

POWER	0.32kW
VOLTAGE	230V - 50Hz
PACKAGING (W x D x H)	510 x 470 x 380 (mm)
UNIT (W x D x H)	483 x 368 x 368 (mm)
NET WEIGHT	14.3kg
GROSS WEIGHT	16kg
SHIPPING VOLUME	0.09m ³
CUT CAPACITY	190 x 170mm
CUT THICKNESS	1 - 9,5mm
CUT LENGTH	190mm
CUT HEIGHT	170mm
BLADE DIAMETER	250mm (10")

AVAILABLE IN

 120V/60Hz

NOTE

- When viewing the appliance from the front in its usual operating position, the width (W) of the product is the total distance from left to right; the depth (D) of the product is the total distance from the front to the back; the height (H) is the total distance from the bottom of the product to the top. Pictures may vary from actual product.

DISCLAIMER

- Output performance figures quoted are dependent on various factors. Anvil reserves the right, without notice, to make changes and revisions to product specifications, materials and design, when we believe it will provide better performance, durability, and efficiency. Unit measurements may vary depending on point of reference.



ALL ANVIL EQUIPMENT COMES WITH A TWO YEAR WARRANTY ON COMPONENTS AND DEFECTIVE WORKMANSHIP.

www.anvilworld.com