

STOVE TOP DOUBLE PLATE

MANUFACTURING
SINCE 1966



Model: STA0002



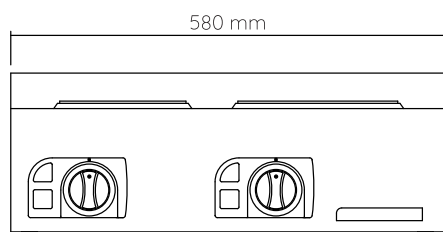
FEATURES

- Anvil hot plates are built with safety and robustness in mind
- Rapid heat up time. Specially designed industrial quality elements which can be left on all day
- Six-stage heat switch for simmering and boiling
- Splash guard
- The hot plate has an embedded element which is permanently bonded for maximum heat retention and dispersion

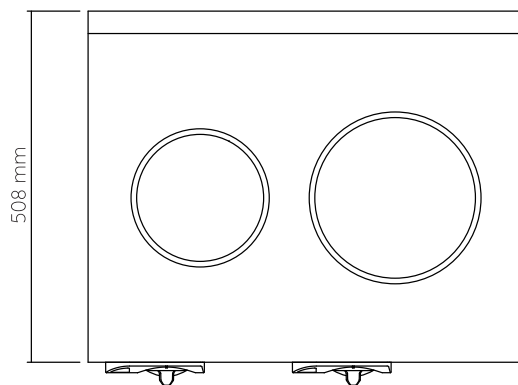
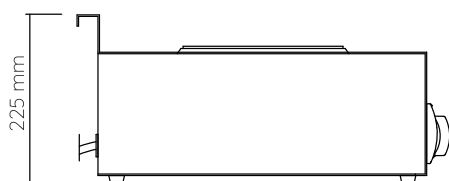


ALL ANVIL EQUIPMENT COMES WITH A TWO YEAR WARRANTY ON COMPONENTS AND DEFECTIVE WORKMANSHIP.

www.anvilworld.com

Model: STA0002**SPECIFICATIONS**

POWER	1 x 1.2kW - 1 x 2.0kW
VOLTAGE	230V - 50Hz
PACKAGING (W x D x H)	620 x 520 x 270 (mm)
UNIT (W x D x H)	580 x 508 x 225 (mm)
NET WEIGHT	11.4kg
GROSS WEIGHT	12kg
SHIPPING VOLUME	0.09m ³
PLATE DIAMETER	1 x 190mm - 1 x 225mm

**NOTE**

- When viewing the appliance from the front in its usual operating position, the width (W) of the product is the total distance from left to right; the depth (D) of the product is the total distance from the front to the back; the height (H) is the total distance from the bottom of the product to the top. Pictures may vary from actual product.

DISCLAIMER

- Output performance figures quoted are dependent on various factors. Anvil reserves the right, without notice, to make changes and revisions to product specifications, materials and design, when we believe it will provide better performance, durability, and efficiency. Unit measurements may vary depending on point of reference.



ALL ANVIL EQUIPMENT COMES WITH A TWO YEAR WARRANTY ON COMPONENTS AND DEFECTIVE WORKMANSHIP.

www.anvilworld.com