

SOUS VIDE BATH 12ℓ

MANUFACTURING
SINCE 1966



Model: SVD0003



FEATURES

- Powerful circulation pump with multiple inlet and outlet jets to ensure uniform temperature distribution, fitted with removable filters
- Large surface area silicone heating element
- Lift out cooking tray for easy loading and unloading
- Electronic temperature control with large easy to read digital display showing time, set temperature and current temperature
- Bath size: 12ℓ
- Lid with insulated mat to preserve heat



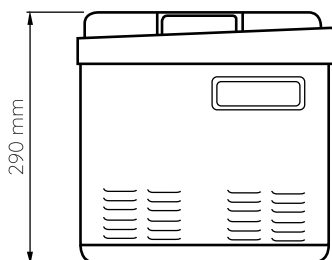
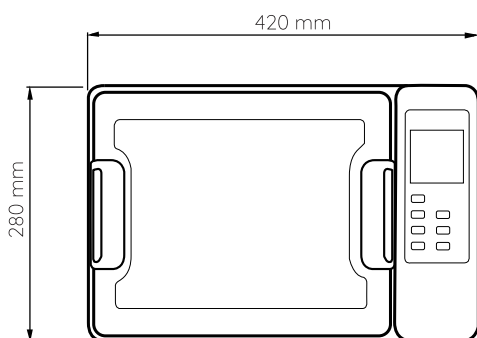
ALL ANVIL EQUIPMENT COMES WITH A TWO YEAR WARRANTY ON COMPONENTS AND DEFECTIVE WORKMANSHIP.

www.anvilworld.com

Model: SVD0003
SPECIFICATIONS

POWER	0.62kW
VOLTAGE	230V - 50Hz
PACKAGING (W x D x H)	490 x 340 x 378 (mm)
UNIT (W x D x H)	420 x 280 x 290 (mm)
NET WEIGHT	7.5kg
GROSS WEIGHT	8.7kg
SHIPPING VOLUME	0.06m ³
CAPACITY	12ℓ

AVAILABLE IN

 120V/60Hz

NOTE

- When viewing the appliance from the front in its usual operating position, the width (W) of the product is the total distance from left to right; the depth (D) of the product is the total distance from the front to the back; the height (H) is the total distance from the bottom of the product to the top. Pictures may vary from actual product.

DISCLAIMER

- Output performance figures quoted are dependent on various factors. Anvil reserves the right, without notice, to make changes and revisions to product specifications, materials and design, when we believe it will provide better performance, durability, and efficiency. Unit measurements may vary depending on point of reference.



ALL ANVIL EQUIPMENT COMES WITH A TWO YEAR WARRANTY ON COMPONENTS AND DEFECTIVE WORKMANSHIP.

www.anvilworld.com