

TOASTER FLAT PLATE 9 SLICE

MANUFACTURING
SINCE 1966



Model: TSA1309



FEATURES

- Optimally balanced heat to ensure even toasting on top and bottom*
- Certified cooking grade cast Aluminium plates
- Adjustable top plate for a variety of product thicknesses
- Detachable drip cup to collect excess fat
- Mechanically tested durable handle assembly
- Insulated hand grip
- Operating temperature range: 50°C - 300°C

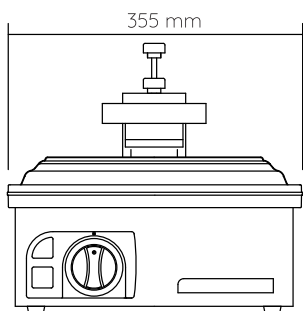
NOTE:

- Toaster and cover sold separately
- Unit tested under controlled conditions. Variables may affect the outcome



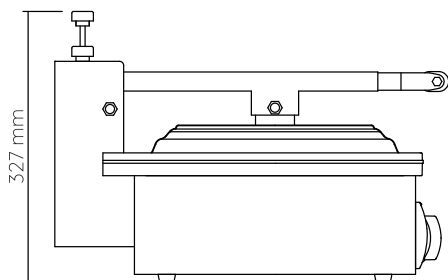
ALL ANVIL EQUIPMENT COMES WITH A TWO YEAR WARRANTY ON COMPONENTS AND DEFECTIVE WORKMANSHIP.

www.anvilworld.com

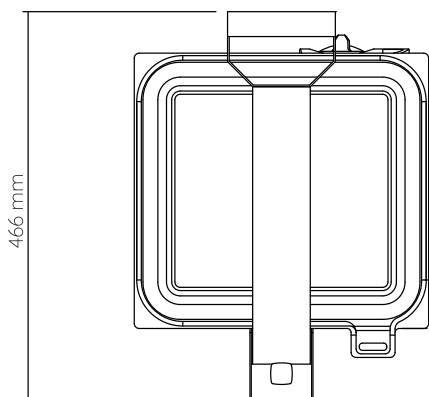
Model: TSA1309

SPECIFICATIONS

| | |
|-----------------------|----------------------|
| POWER | 2.15kW |
| VOLTAGE | 230V - 50Hz |
| PACKAGING (W x D x H) | 460 x 540 x 370 (mm) |
| UNIT (W x D x H) | 355 x 466 x 327 (mm) |
| NET WEIGHT | 11kg |
| GROSS WEIGHT | 12.5kg |
| SHIPPING VOLUME | 0.09m ³ |
| COOKING SURFACE | 330 x 355 (mm) |

AVAILABLE IN

 120V/60Hz

OPTIONAL EXTRAS
COVER

| CODE | DESCRIPTION |
|---------|------------------------|
| TCT0001 | Teflon Cover - 9 Slice |


FEATURES

- Non-Stick Teflon Toaster Cover
- Maximum operating temperature 240°C
- Dishwasher safe

NOTE

- When viewing the appliance from the front in its usual operating position, the width (W) of the product is the total distance from left to right; the depth (D) of the product is the total distance from the front to the back; the height (H) is the total distance from the bottom of the product to the top. Pictures may vary from actual product.

DISCLAIMER

- Output performance figures quoted are dependent on various factors. Anvil reserves the right, without notice, to make changes and revisions to product specifications, materials and design, when we believe it will provide better performance, durability, and efficiency. Unit measurements may vary depending on point of reference.



ALL ANVIL EQUIPMENT COMES WITH A TWO YEAR WARRANTY ON COMPONENTS AND DEFECTIVE WORKMANSHIP.

www.anvilworld.com