

TOASTER PANINI RIBBED - 9 SLICE

MANUFACTURING
SINCE 1966



Model: TSA3009



FEATURES

- For Italian and English sandwiches
- Ribbed top and bottom plates
- Optimally balanced heat to ensure even toasting on top and bottom*
- Certified cooking grade cast Aluminium plates
- Adjustable top plate for a variety of food thicknesses
- Drip cup to catch excess fat
- Mechanically tested durable handle assembly
- Insulated hand grip
- Operating temperature range: 50°C - 250°C

NOTE:

- Teflon coated plate
- Unit tested under controlled conditions. Variables may affect the outcome



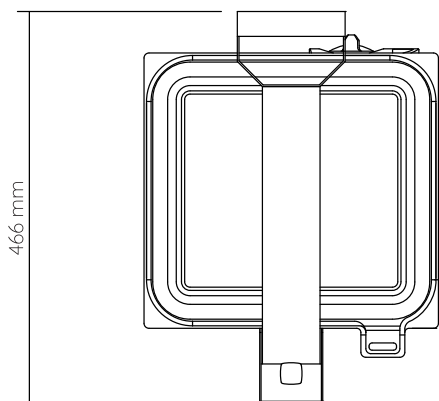
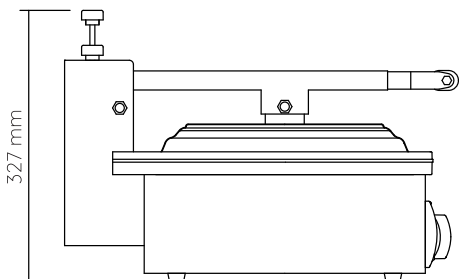
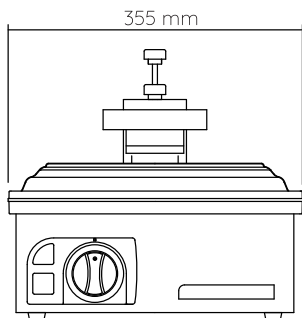
ALL ANVIL EQUIPMENT COMES WITH A TWO YEAR WARRANTY ON COMPONENTS AND DEFECTIVE WORKMANSHIP.

www.anvilworld.com

Model: TSA3009
SPECIFICATIONS

POWER	2.15kW
VOLTAGE	230V -50Hz
PACKAGING (W x D x H)	460 x 540 x 370 (mm)
UNIT (W x D x H)	355 x 466 x 327 (mm)
NET WEIGHT	11kg
GROSS WEIGHT	12.5kg
SHIPPING VOLUME	0.09m ³
COOKING SURFACE	330 x 355 (mm)

AVAILABLE IN

 120V/60Hz

NOTE

- When viewing the appliance from the front in its usual operating position, the width (W) of the product is the total distance from left to right; the depth (D) of the product is the total distance from the front to the back; the height (H) is the total distance from the bottom of the product to the top. Pictures may vary from actual product.

DISCLAIMER

- Output performance figures quoted are dependent on various factors. Anvil reserves the right, without notice, to make changes and revisions to product specifications, materials and design, when we believe it will provide better performance, durability, and efficiency. Unit measurements may vary depending on point of reference.



ALL ANVIL EQUIPMENT COMES WITH A TWO YEAR WARRANTY ON COMPONENTS AND DEFECTIVE WORKMANSHIP.

www.anvilworld.com