

# TOASTER PANINI DELUX - 9 SLICE

MANUFACTURING  
SINCE 1966



**Model: TSA5009**



## FEATURES

- Certified food safe Teflon coating
- Optimally balanced heat to ensure even toasting on top and bottom\*
- Adjustable top plate for a variety of product thicknesses
- Ribbed top and flat bottom for a more sophisticated sandwich presentation
- Detachable drip cup to collect excess fat
- Independent plate control enables operator to use as a flat top only, while the top plate is switched off
- Mechanically tested durable handle assembly
- Insulated hand grip
- Operating temperature range: 50°C - 250°C

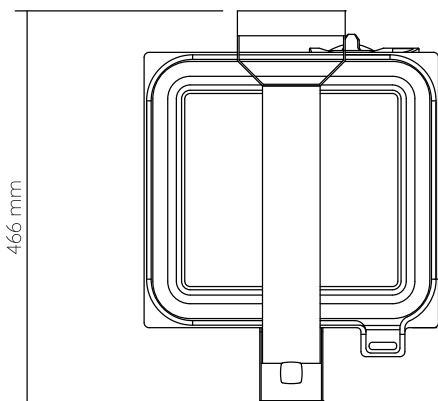
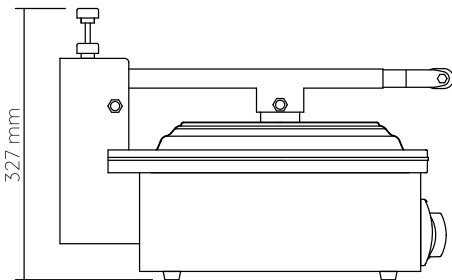
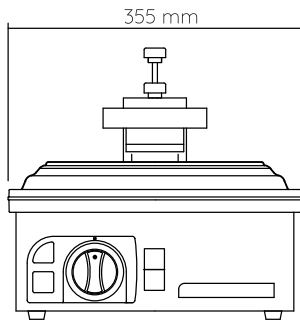
### NOTE:

- Teflon coated plate
- Unit tested under controlled conditions. Variables may affect the outcome



ALL ANVIL EQUIPMENT COMES WITH A TWO YEAR WARRANTY ON COMPONENTS AND DEFECTIVE WORKMANSHIP.

[www.anvilworld.com](http://www.anvilworld.com)

**Model: TSA5009**

**SPECIFICATIONS**

POWER	1.97kW
VOLTAGE	230V - 50Hz
PACKAGING (W x D x H)	460 x 540 x 370 (mm)
UNIT (W x D x H)	355 x 466 x 327 (mm)
NET WEIGHT	11kg
GROSS WEIGHT	12.5kg
SHIPPING VOLUME	0.09m <sup>3</sup>
COOKING SURFACE	330 x 355 (mm)

AVAILABLE IN

 120V/60Hz

**NOTE**

- When viewing the appliance from the front in its usual operating position, the width (W) of the product is the total distance from left to right; the depth (D) of the product is the total distance from the front to the back; the height (H) is the total distance from the bottom of the product to the top. Pictures may vary from actual product.

**DISCLAIMER**

- Output performance figures quoted are dependent on various factors. Anvil reserves the right, without notice, to make changes and revisions to product specifications, materials and design, when we believe it will provide better performance, durability, and efficiency. Unit measurements may vary depending on point of reference.



**ALL ANVIL EQUIPMENT COMES WITH A TWO YEAR WARRANTY ON COMPONENTS AND DEFECTIVE WORKMANSHIP.**

[www.anvilworld.com](http://www.anvilworld.com)