



Installation, Operation and Care Manual



SCAN ME
TO GO TO
WARRANTY
REGISTRATION

MANUFACTURING
SINCE 1966

4-INS-TSA6009

THE CHEFS COMPANION



THE CHEFS COMPANION



THANK YOU FOR PURCHASING AN ANVIL PRODUCT!



REGISTER ONLINE TODAY

Register your warranty on-line at www.anvilworld.com today and learn how to get the best out of your Anvil product, tips to care for your Anvil product for long lasting performance, exciting recipes and more.

NO WEB ACCESS?

If you do not have access to the Web, register by completing this form and faxing it to the Anvil head office in South Africa. Fax: +27 11 474 1630

ONLY COMPLETE IF YOU DO NOT HAVE WEB ACCESS

Company _____

Name _____

Surname _____

Telephone _____

Cellphone _____

Email Address _____

Country _____

Postal address _____

Anvil products purchased _____

Code (see box label) _____

Serial number (see back of machine) _____

INTENDED USE

- Full-Service restaurant
- Coffee Shop / Deli
- Fast Food Outlet
- Hotel
- Bed & Breakfast
- School Cafeteria

- Institutional Cafeteria
- Corporate Catering
- Private Use
- Franchisor
- Convenience Store
- Other

 ALL ANVIL EQUIPMENT COMES WITH A TWO YEAR WARRANTY ON COMPONENTS AND DEFECTIVE WORKMANSHIP.

www.anvilworld.com

LIMITED WARRANTY

All equipment which is sold under ANVIL trademark and used for commercial purposes is warranted against defects in materials and workmanship. The warranty runs for two years from the date of original installation and is for the benefit of the original purchaser only. All other Warranties, expressed or implied, statutory or otherwise, including without limitations any implied Warranty of Merchantability or fitness for purpose are excluded. The Seller shall in no event be liable for direct, indirect or consequential damages in connection with ANVIL commercial products.

The Sellers obligation under this Warranty is limited to the repair of defects without charge. Defective units must be taken or shipped, transportation charges prepaid, to ANVIL.

This Warranty is not effective if damage occurs because of accident, carelessness, improper installation, lack of proper set-up, supervision when required or if the equipment is installed or operated in any manner contrary to the installation and operating instructions. In these cases, repairs will be made at a reasonable cost. Work performed by unauthorized personnel or unauthorized service agencies using non Anvil spares voids this Warranty.



NB:

REGISTER ON-LINE TODAY

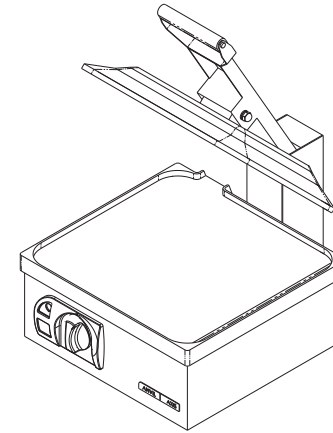
Register your warranty on-line now at www.anvilworld.com

NO WEB ACCESS

If you do not have access to the Web. Kindly register by completing the warranty registration form and fax it to the ANVIL office in the country of purchase.

Failure to do so will invalidate your warranty.

SANDWICH PRESS



INSTALLATION OPERATION AND CARE OF SANDWICH PRESS ELECTRIC

**MODELS: TSA1009 R01/TSA2009 R01/TSA4009 R01
TSA6009 R01/TSA1309 R01/TSA3009 R01
TSA5009 R01/TSA9009 R01/TSA1212 R01
TSA1309 R01
TSA1009-120/TSA2009-120/TSA4009-120
TSA6009-120/TSA2009-120/TSA3009-120
TSA5009-120/TSA9009-120/TSA1212-120
TSA1309-120**

UNPACKING

Unpack the product and check for any damage incurred during transit. This should be reported to the responsible carrier, railway or postal authority, and a request for a damage report should be made.



THESE INSTRUCTIONS MUST BE FOLLOWED FOR US TO GUARANTEE OUR FULL SUPPORT OF YOUR CLAIM FOR PROTECTING AGAINST LOSS FROM CONCEALED DAMAGE. THE FORM FOR FILING SUCH A CLAIM WILL BE PROVIDED BY THE CARRIER.

GENERAL INSTALLATION AND OPERATION INSTRUCTIONS

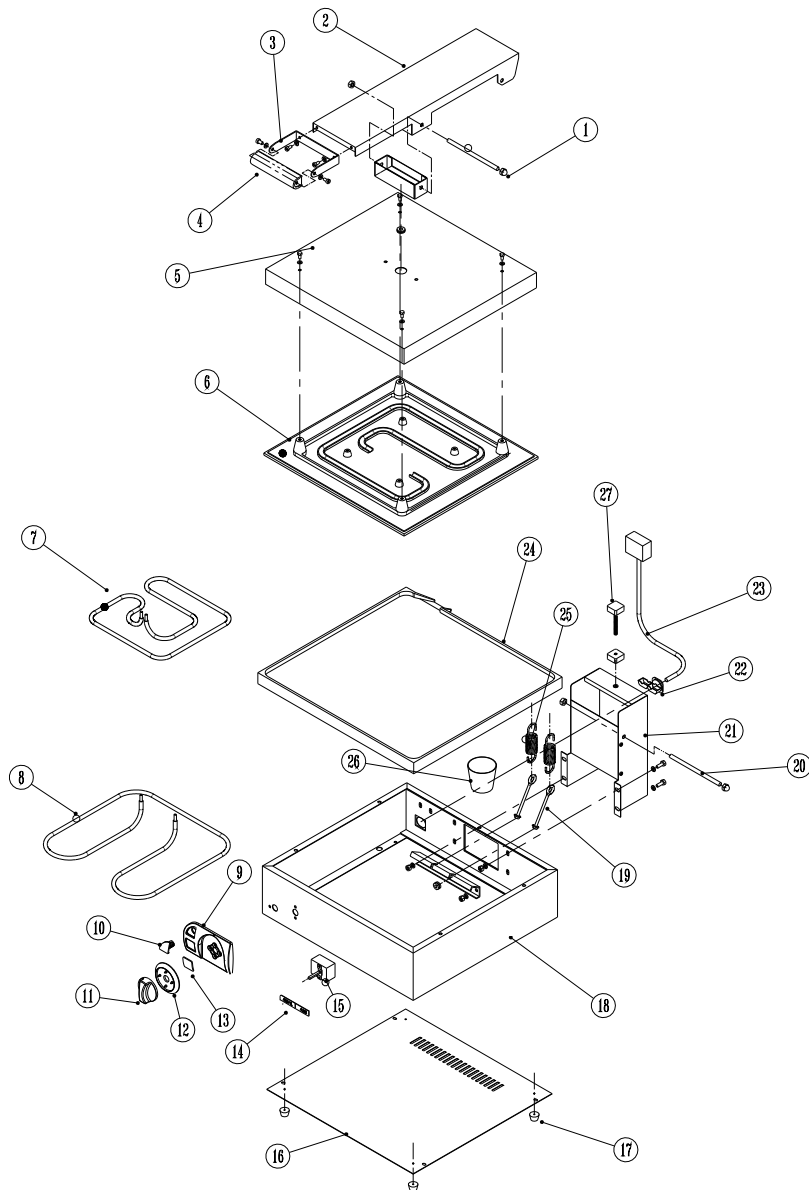
These sandwich presses are medium duty electrical appliances capable of toasting a variety of bread products and sandwiches. The thermostat also acts as the 'ON' and 'OFF' switch.

1. Install the sandwich press in the most convenient location for ease of cleaning, maintenance and general operation. If the toaster is to be positioned in close proximity to a wall, partitions, kitchen furniture, decorative finishes, etc. it is recommended that they be made of a non-combustible material. If not, they shall be clad with a suitable non-combustible heat insulating material, and the closest attention be paid to fire prevention regulations.
2. Certain sandwich presses are manufactured in two different voltage versions, each requiring a grounded, single-phase receptacle.
3. The appliance is equipped with a pilot light to indicate when the heating elements are energized.
4. Buttering both sides of the sandwich will prevent the sandwich from sticking as well as giving a golden brown finish to the end product.
5. With use, plates of the toaster become 'naturally' conditioned to create a non-stick surface. Use of tinfoil or other coverings will not only impede the conditioning process, but may also affect performance.
6. Do not leave food on the plates after cooking, particularly in the case of the non-stick plates as this will cause the non-stick effect to diminish and acids in the food to attack the coating.
7. When the sandwich press is not in use, turn the temperature control to the lowest temperature and ensure that the lid is kept open.

MODEL: 12 SLICE SANDWICH PRESS MODEL CODE : TSA1212 R01

Part No.	Description
1	TOP HINGE AXLE M8
2	12 SLICE TOASTER HANDLE
3	STAINLESS STEEL TOASTER HANDLE
4	PLASTIC TOASTER HANDLE
5	STAINLESS STEEL COVER
6	12 SLICE TOP CASTING
7	TOP ELEMENT
8	BOTTOM ELEMENT
9	CONTROL FACIA PANEL
10	PILOT LIGHT
11	KNOB
12	BEZEL
13	CONTROL PANEL INSERT
14	ANVIL AXIS LOGO
15	THERMOSTAT
16	GALVANISED BOTTOM COVER
17	LARGE RUBBER FEET
18	STAINLESS STEEL BODY
19	PANINI EYE BOLT
20	TOP HINGE AXLE M8
21	HANDLE HINGE BRACKET
22	CABLE GRIP
23	POWER CORD
24	12 SLICE BOTTOM CASTING
25	PANINI SPRING
26	FAT CUP
27	ADJUSTING SCREW

**EXPLODED DIAGRAM
SANDWICH PRESS 12 SLICE
MODEL CODE: TSA1212 R01**



SPECIFIC OPERATING INSTRUCTIONS

**SANDWICH PRESS FLAT PLATE - TSA1009 /TSA1309 /
TSA9009 /TSA6009 /TSA1212**

1. Before using the sandwich press, turn the control knob to 300°C (570°F). Close the lid and allow the toaster to burn in for ± 30 minutes. You will notice smoke appearing due to the internal protective mill-board burning in. This is normal.
2. After the 30 minute burning in time has elapsed, turn the sandwich press down to operating temperature of ± 250°C (480°F) and grease plates generously with butter or oil. Never allow excess fat or oil to build up as this will result in build-up of carbon on the plates. This can be removed with a scraper or grill brick.

**SANDWICH PRESS FLAT PLATE NON-STICK - TSA2009 /
TSA3009 / TSA4009 /TSA5009**

1. In the case of the coated plates, remove the label off the surface and wash the plate with soapy water. Thereafter, rinse and dry thoroughly. 'Condition' the surface with a thin coating of cooking oil or fat. Then set the thermostat control knob to a maximum of 240°C (464°F).

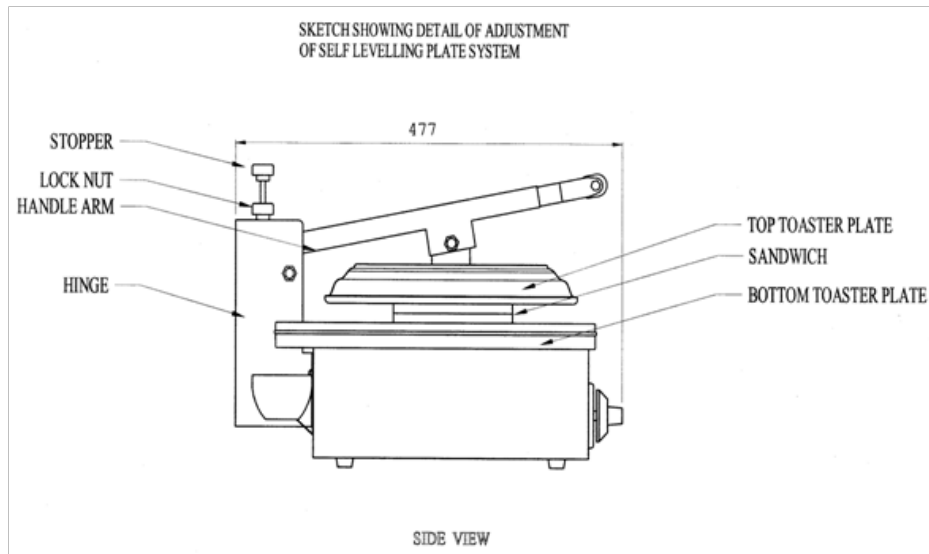
DUAL CONTROL SYSTEM - TSA4009 /TSA5009 /TSA6009

These models are provided with a rocker switch that allows the user the option of switching on either both top and bottom plates or only the bottom plate.

PLATE SELF LEVELLING SYSTEM

These appliances are provided with a self levelling plate system and it is important to observe the following to ensure efficient toasting of the sandwich press

- Push the handle downward as far as possible to seal the sandwich.
- Adjust the stopper until it touches the handle arm as shown in the sketch.
- Lock the stopper into position with the nylon lock nut provided.



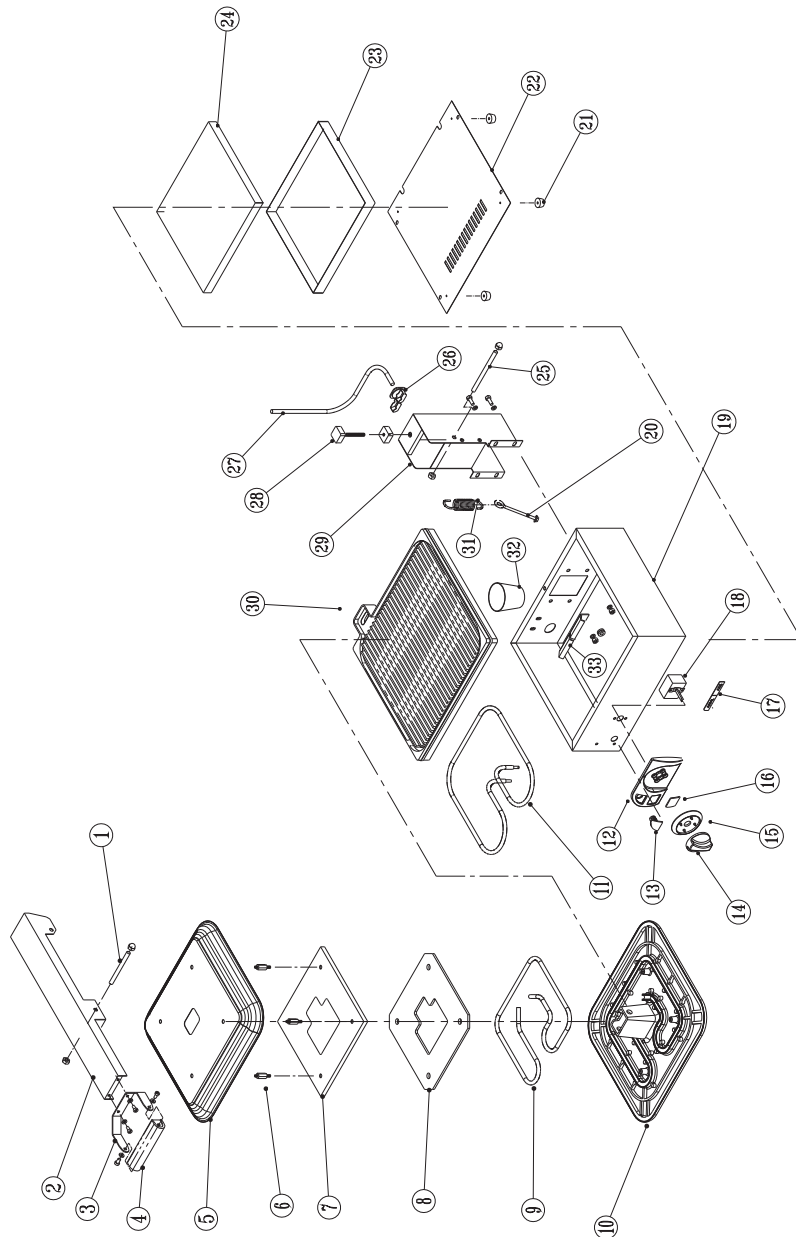
MODEL:SANDWICH PRESS RIBBED (NON TEFLON) MODEL CODE : TSA9009 R01

Part No.	Description
1	TOP HINGE AXLE M8
2	9 SLICE TOASTER HANDLE
3	STAINLESS STEEL TOASTER HANDLE
4	PLASTIC TOASTER HANDLE
5	STAINLESS STEEL PRESSED COVER
6	M5 HEX SPACERS
7	TOP ELEMENT COVER PLATE
8	5MM MILL BOARD TOP
9	TOP ELEMENT 950W
10	ALUMINIUM TOP CASTING PANINI
11	BOTTOM ELEMENT 1200W
12	CONTROL FACIA PANEL
13	PILOT LIGHT
14	KNOB
15	BEZEL
16	CONTROL PANEL INSERT
17	ANVIL AXIS LOGO
18	THERMOSTAT
19	STAINLESS STEEL BODY
20	M5 PLATED EYE BOLT
21	SMALL RUBBER FEET
22	GALVANISED COVERPLATE
23	BOTTOM ELEMENT COVER
24	BOTTOM INSULATION PAD
25	BOTTOM HINGE AXLE M8
26	CABLE GRIP
27	POWER CORD
28	HANDLE ADJUSTMENT SCREW
29	HANDLE HINGE BRACKET
30	ALUMINIUM BOTTOM CASTING
31	HANDLE SPRING
32	DRIP CUP
33	SPRING BRACKET



THIS INSTRUCTION BOOKLET COVERS THE ENTIRE RANGE OF SANDWICH PRESSES. PLEASE ENSURE THAT YOU CHECK THE MODEL NO. AT THE REAR OF THE UNIT AND FOLLOW THE SPECIFIC INSTRUCTIONS THAT PERTAIN TO THE RELEVANT PRODUCT.

**EXPLODED DIAGRAM
SANDWICH PRESS RIBBED (NON TEFON)
MODEL CODE: TSA9009 R01**



WARNING

Burn Hazard.

Do not touch hot food, liquid or heating surfaces while equipment is heating or operating

Hot surfaces and food can burn skin. Allow the hot surfaces to cool before handling

CLEANING

1. Always ensure that the unit is disconnected from the mains power supply before cleaning
2. This appliance should not be cleaned with a water jet or immersed in water. Use only a damp cloth or sponge dipped in soapy water.
3. Wipe off the unit with a dry cloth and wait at least half an hour before re - connecting to the mains outlet.



THIS APPLIANCE SHOULD NOT BE CLEANED WITH A WATER JET OR IMMERSED IN WATER. USE ONLY A DAMP CLOTH OR SPONGE DIPPED IN SOAPY WATER. DO NOT USE STEEL-WOOL WHICH WILL MARK THE BRIGHT STAINLESS STEEL FINISH



WARNING

Electric Shock Hazard.

Keep water and other liquids from entering the inside of the equipment. Liquid inside the equipment could cause an electrical shock

Do not spray water or cleaning products. Liquid could contact the electrical components and cause a short circuit or an electrical shock. Do not use equipment if power cord is damaged or has been modified

SAFETY

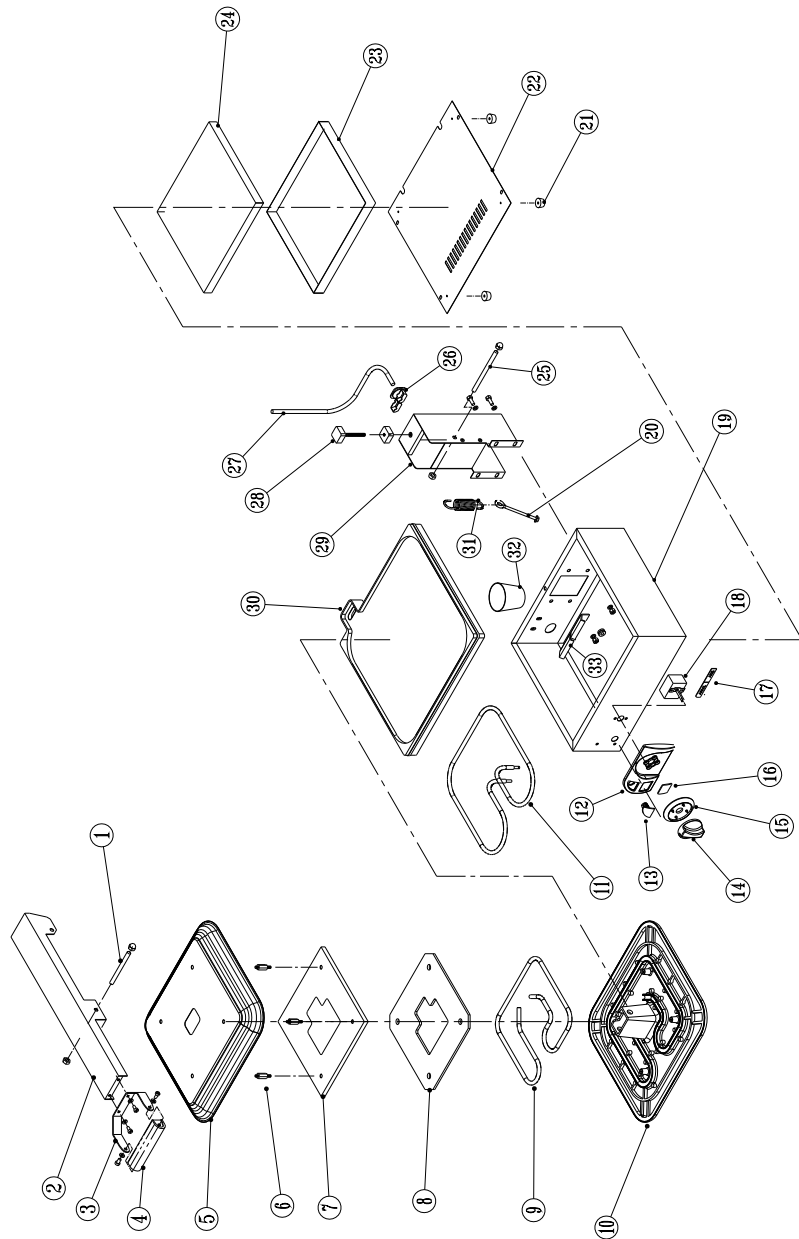
READ ALL INSTRUCTIONS BEFORE USE. FAILURE TO FOLLOW THESE PRECAUTIONS COULD RESULT IN INJURY TO YOURSELF AND OTHERS

1. When this appliances is to be positioned in close proximity to a wall, partitions, kitchen furniture, decorative finishes, etc. it is recommended that they be made of non-combustible material. If not, they shall be clad with a suitable non-combustible heat insulating material, and the closest attention be paid to fire prevention regulations.
2. Use the appliances on an individual 15A mains outlet only.
DO NOT OVERLOAD THE CIRCUIT.
3. Ensure that the equipment and the power supply cord does not come into contact with hot surfaces.
4. Supervision is necessary when the appliance is used in close proximity to children.
5. If the supply cord is damaged, it must be replaced with a new cord assembly available from the suppliers agent.
6. Use only earthed outlets matching the serial plate voltage.
7. Have equipment installed by a qualified personnel in accordance with local codes and ordinances.
8. Use equipment in a flat level position.
9. Do not operate unattended
10. The equipment may be hot, even though the pilot light is not on.
11. Do not operate if equipment has been damaged or is malfunctioning in any way.
12. These appliances are designed to run only on alternating current (A.C.) **DO NOT CONNECT TO DIRECT CURRENT (D.C)**

MODEL: SANDWICH PRESS - FLAT BOTTOM, RIBBED TOP (NON TEFLON) MODEL CODE : TSA6009 R01

Part No.	Description
1	TOP HINGE AXLE M8
2	9 SLICE TOASTER HANDLE
3	STAINLESS STEEL TOASTER HANDLE
4	PLASTIC TOASTER HANDLE
5	STAINLESS STEEL PRESSED COVER
6	M5 HEX SPACERS
7	TOP ELEMENT COVER PLATE
8	5MM MILL BOARD TOP
9	TOP ELEMENT 1050W
10	ALUMINIUM TOP CASTING
11	BOTTOM ELEMENT 920W
12	CONTROL FACIA PANEL
13	PILOT LIGHT
14	KNOB
15	BEZEL
16	CONTROL PANEL INSERT
17	ANVIL AXIS LOGO
18	THERMOSTAT
19	STAINLESS STEEL BODY
20	M5 PLATED EYE BOLT
21	SMALL RUBBER FEET
22	GALVANISED COVERPLATE
23	BOTTOM ELEMENT COVER
24	BOTTOM INSULATION PAD
25	BOTTOM HINGE AXLE M8
26	CABLE GRIP
27	POWER CORD
28	HANDLE ADJUSTMENT SCREW
29	HANDLE HINGE GRACKET
30	ALUMINIUM BOTTOM CASTING
31	HANDLE SPRING
32	DRIP CUP
33	SPRING BRACKET

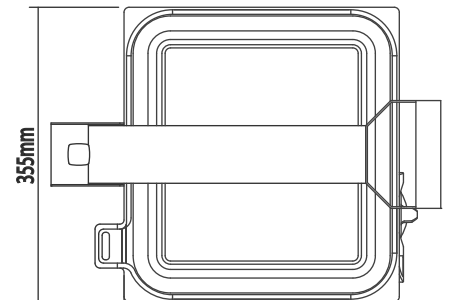
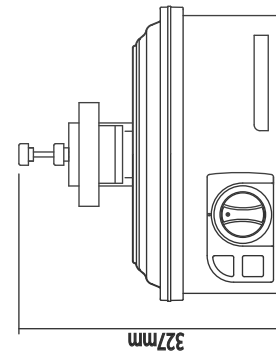
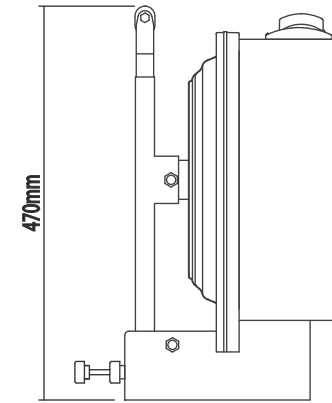
EXPLODED DIAGRAM
SANDWICH PRESS FLAT BOTTOM RIBBED TOP (NON TEFLON)
MODEL CODE: TSA6009 R01



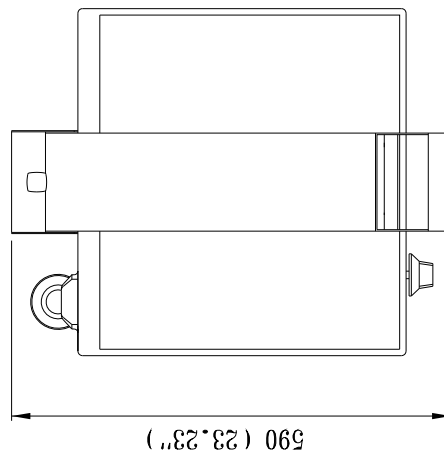
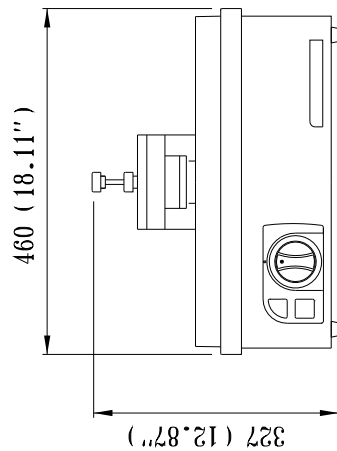
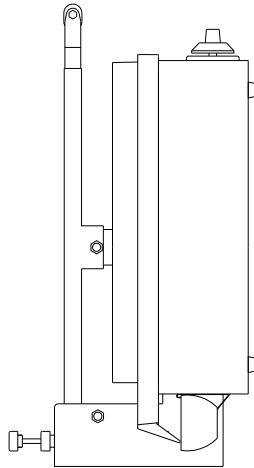
POSITIONING DIAGRAM
SANDWICH PRESS

MODEL: TSA1009 R01/TSA2009 R01/TSA4009 R01
TSA6009 R01/TSA1309 R01/TSA3009 R01
TSA5009 R01/TSA9009 R01/TSA1309 R01

TSA1009-120/TSA2009-120/TSA4009-120
TSA6009-120/TSA2009-120/TSA3009-120
TSA5009-120/TSA9009-120/TSA1309-120



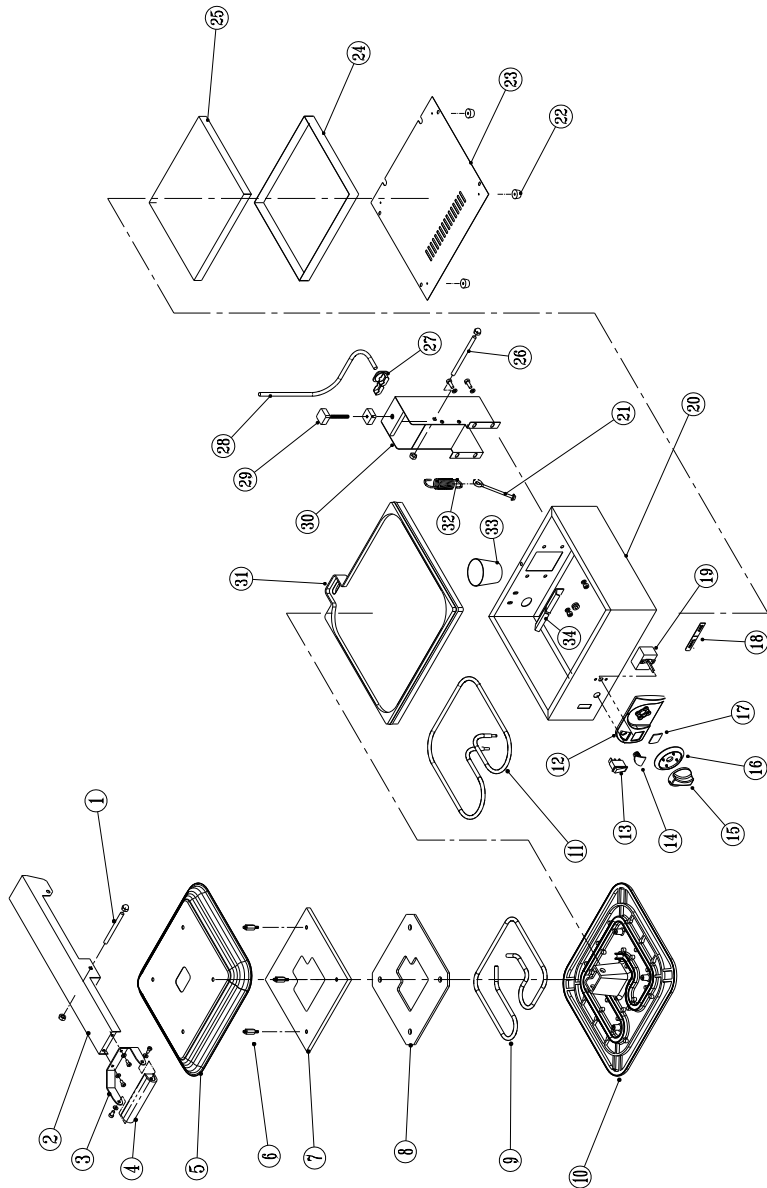
**POSITIONING DIAGRAM
SANDWICH PRESS
MODEL:TSA1212 R01/TSA1212-120 R01**



**MODEL: SANDWICH PRESS - FLAT BOTTOM, RIBBED TOP
DUAL CONTROLS, TEFLON COATED
MODEL CODE : TSA5009 R01**

Part No.	Description
1	TOP HINGE AXLE M8
2	9 SLICE TOASTER HANDLE
3	STAINLESS STEEL TOASTER HANDLE
4	PLASTIC TOASTER HANDLE
5	STAINLESS STEEL PRESSED COVER
6	M5 HEX SPACERS
7	TOP ELEMENT COVER PLATE
8	5MM MILL BOARD TOP
9	TOP ELEMENT 1050W
10	ALUMINIUM TOP CASTING
11	BOTTOM ELEMENT 920W
12	CONTROL FACIA PANEL
13	NON-ILLUMINATED ROCKER SWITCH
14	PILOT LIGHT
15	THERMOSTAT KNOB
16	BEZEL
17	CONTROL PANEL INSERT
18	ANVIL AXIS LOGO
19	THERMOSTAT
20	STAINLESS STEEL BODY
21	M5 PLATED EYE BOLT
22	SMALL RUBBER FEET
23	GALVANIZED COVER PLATE
24	BOTTOM ELEMENT COVER
25	BOTTOM INSULATION PAD
26	BOTTOM HINGE AXLE M8
27	CABLE GRIP
28	POWER CORD
29	HANDLE ADJUSTMENT SCREW
30	HANDLE HINGE BRACKET
31	ALUMINIUM BOTTOM CASTING
32	HANDLE SPRING
33	DRIP CUP
34	SPRING BRACKET

EXPLODED DIAGRAM
SANDWICH PRESS FLAT BOTTOM, RIBBED TOP
DUAL CONTROL. TEFLON COATED
MODEL CODE: TSA5009 R01



ELECTRICAL CONNECTION INFORMATION

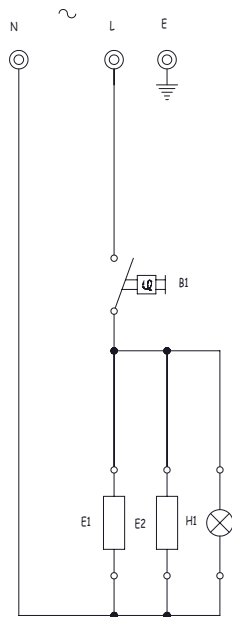
MODEL	TOP PLATE	BOTTOM PLATE	DUAL CONTROL	ADJUSTABLE HANDLE	NON-STICK COATED	VOLTS (V/Hz)	POWER (W)
TSA1009	FLAT	FLAT	NO	YES	NO	230/50	2150
TSA1009-120	FLAT	FLAT	NO	YES	NO	120/60	1800
TSA1309	FLAT	FLAT	NO	YES	NO	230/50	2150
TSA1309-120	FLAT	FLAT	NO	YES	NO	120/60	1800
TSA2009	FLAT	FLAT	NO	YES	YES	230/50	2150
TSA2009-120	FLAT	FLAT	NO	YES	YES	120/60	1800
TSA3009	RIBBED	RIBBED	NO	YES	YES	230/50	2150
TSA3009-120	RIBBED	RIBBED	NO	YES	YES	120/60	1800
TSA4009	FLAT	FLAT	YES	YES	YES	230/50	2150
TSA4009-120	FLAT	FLAT	YES	YES	YES	120/60	1800
TSA5009	RIBBED	FLAT	YES	YES	YES	230/50	1970
TSA5009-120	RIBBED	FLAT	YES	YES	YES	120/60	1800
TSA6009	RIBBED	FLAT	YES	YES	NO	230/50	1970
TSA6009-120	RIBBED	FLAT	YES	YES	NO	120/60	1800
TSA9009	RIBBED	RIBBED	NO	YES	NO	230/50	2150
TSA9009-120	RIBBED	RIBBED	NO	YES	NO	120/60	1800
TSA1212	FLAT	FLAT	NO	YES	NO	230/50	3200
TSA1212-120	FLAT	FLAT	NO	YES	NO	120/60	1800

**WIRING DIAGRAM
SANDWICH PRESS
MODEL CODE: TSA1009 R02/TSA9009 R01**

LEGEND	DESCRIPTION	PART NUMBER
B1	CONTROL THERMOSTAT	1-EGO-150
E1	TOP ELEMENT 950W/230V	5-950W-TOASTER
E2	BOTTOM ELEMENT 1200W/230V	5-1200W-TOASTER
H1	CONTROL PILOT LIGHT	1-PL-BMA0001

**WIRING DIAGRAM
SANDWICH PRESS
MODEL CODE: TSA1009-120/TSA9009-120**

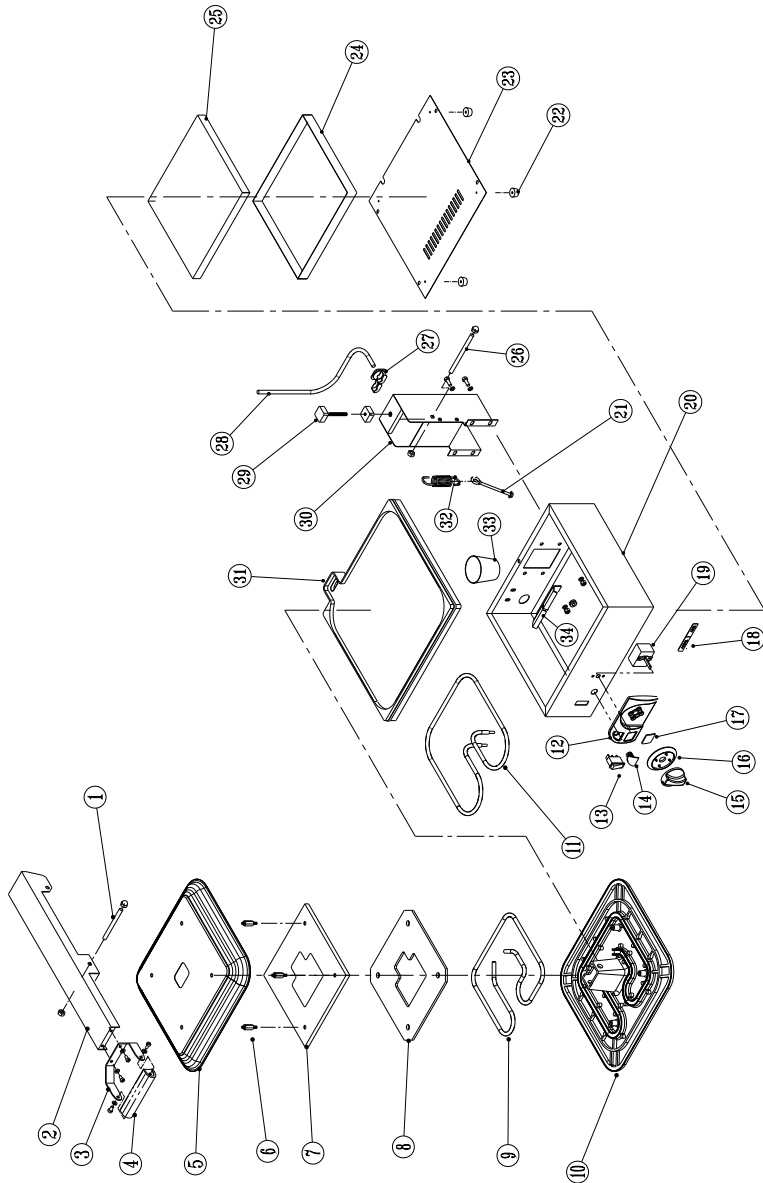
LEGEND	DESCRIPTION	PART NUMBER
B1	CONTROL THERMOSTAT	1-EGO-150
E1	TOP ELEMENT 800W/120V	5-120V-800W-TO
E2	BOTTOM ELEMENT 1000W/120V	5-120V-1000W-TO
H1	CONTROL PILOT LIGHT	1-PL-BMA7102



**MODEL: SANDWICH PRESS FLAT PLATE
DUAL CONTROLS, TEFLON COATED
MODEL CODE : TSA4009 R01**

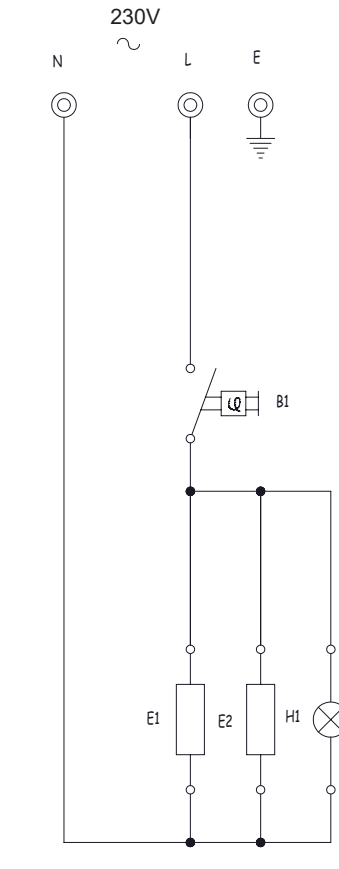
Part No.	Description
1	TOP HINGE AXLE M8
2	9 SLICE STAINLESS STEEL HANDLE
3	STAINLESS STEEL HANDLE
4	PLASTIC TOASTER HANDLE
5	PRESSED STAINLESS STEEL COVER PLATE
6	M5- HEX- SPACERS
7	TOP ELEMENT COVER PLATE
8	5MM MILL BOARD TOP
9	TOP ELEMENT
10	ALUMINIUM TOP TEFLON COATED
11	BOTTOM ELEMENT
12	CONTROL FACIA PANEL
13	NON-ILLUMINATED ROCKER SWITCH
14	PILOT LIGHT
15	THERMOSTAT KNOB
16	BEZEL
17	CONTROL PANEL INSERT
18	ANVIL AXIS LOGO
19	THERMOSTAT
20	STAINLESS STEEL BODY
21	M5 PLATED EYE BOLT
22	SMALL RUBBER FEET
23	GALVANIZED COVER PLATE
24	BOTTOM ELEMENT COVER
25	INSULATION PAD
26	HANDLE HINGE PIN M8
27	CABLE GRIP
28	POWER CORD
29	HANDLE ADJUSTMENT SCREW
30	HANDLE HINGE BRACKET
31	ALUMINIUM BOTTOM TEFLON COATED
32	HANDLE SPRING
33	DRIP CUP
34	SPRING BRACKET

**EXPLODED DIAGRAM
SANDWICH PRESS FLAT PLATE, DUAL CONTROLS
TEFLON COATED
MODEL CODE: TSA4009 R01**



**WIRING DIAGRAM
SANDWICH PRESS
MODEL CODE: TSA1309 R01**

LEGEND	DESCRIPTION	PART NUMBER
B1	CONTROL THERMOSTAT	1-EGO-150
E1	TOP ELEMENT 950W/230V	5-950W-TOASTER
E2	BOTTOM ELEMENT 1200W/230V	5-1200W-TOASTER
H1	CONTROL PILOT LIGHT	1-PL-BMA0001

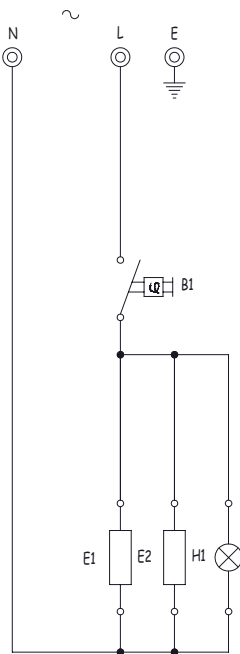


**WIRING DIAGRAM
SANDWICH PRESS
MODEL CODE: TSA2009 R01/TSA3009 R01**

LEGEND	DESCRIPTION	PART NUMBER
B1	CONTROL THERMOSTAT	1-EGO-150
E1	TOP ELEMENT 950W/230V	5-950W-TOASTER
E2	BOTTOM ELEMENT 1250W/230V	5-1200W-TOASTER
H1	CONTROL PILOT LIGHT	1-PL-BMA0001

**WIRING DIAGRAM
SANDWICH PRESS
MODEL CODE: TSA2009-120/TSA3009-120**

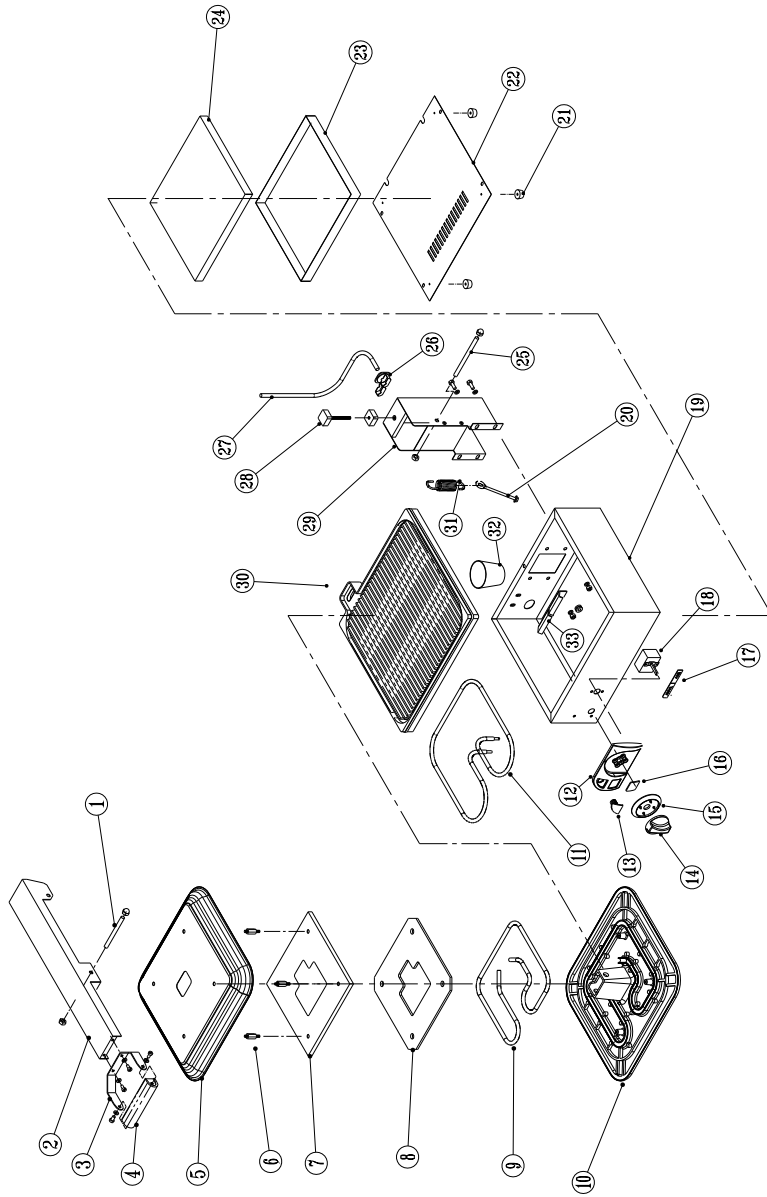
LEGEND	DESCRIPTION	PART NUMBER
B1	CONTROL THERMOSTAT	1-EGO-150
E1	TOP ELEMENT 800W/120V	5-120V-800W-TO
E2	BOTTOM ELEMENT 1000W/120V	5-120V-1000W-TO
H1	CONTROL PILOT LIGHT	1-PL-BMA7102



**MODEL:SANDWICH PRESS RIBBED TEFLON COATED
MODEL CODE : TSA3009 R01**

Part No.	Description
1	TOP HINGE AXLE M8
2	9 SLICE STAINLESS STEEL HANDLE
3	STAINLESS STEEL HANDLE
4	PLASTIC HANDLE
5	PRESSED STAINLESS STEEL COVER PLATE
6	M5 HEX SPACERS
7	TOP ELEMENT COVER PLATE
8	5MM MILL BOARD TOP
9	TOP ELEMENT 950W
10	ALUMINIUM PANINI TOP PLATE TEFLON COATED
11	BOTTOM ELEMENT 1200W
12	CONTROL FACIA PANEL
13	PILOT LIGHT
14	KNOB
15	BEZEL
16	CONTROL PANEL INSERT
17	ANVIL AXIS LOGO
18	THERMOSTAT
19	STAINLESS STEEL BODY
20	M5 PLATED EYE BOLT
21	SMALL RUBBER FEET
22	GALVANISED COVER PLATE
23	BOTTOM ELEMENT COVER
24	INSULATION PAD
25	HANDLE AXLE
26	CABLE GRIP
27	POWER CORD
28	HANDLE ADJUSTING SCREW
29	STAINLESS STEEL HANDLE COVER
30	ALUMINIUM PANINI BOTTOM PLATE TEFLON COATED
31	HANDLE SPRING
32	DRIP CUP
33	SPRING BRACKET

**EXPLODED DIAGRAM
SANDWICH PRESS RIBBED TEFLON COATED
MODEL CODE: TSA3009 R01**

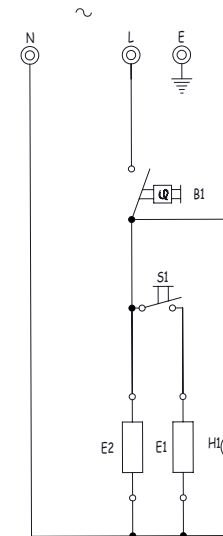


**WIRING DIAGRAM
SANDWICH PRESS
MODEL CODE: TSA4009 R01/TSA5009 R01**

LEGEND	DESCRIPTION	PART NUMBER
B1	CONTROL THERMOSTAT	1-THERM-TO-TEF
E1	TOP ELEMENT 1050W/230V	5-1050W-PAN
E2	BOTTOM ELEMENT 920W/230V	5-920W-PAN
H1	CONTROL PILOT LIGHT	1-PL-BMA0001
S1	NON-ILLUMINATED ROCKER SWITCH	1-RS-NI

**WIRING DIAGRAM
SANDWICH PRESS
MODEL CODE: TSA4009-120/TSA5009-120**

LEGEND	DESCRIPTION	PART NUMBER
B1	CONTROL THERMOSTAT	1-THERM-TO-TEF
E1	TOP ELEMENT 800W/120V	5-120V-800W-TO
E2	BOTTOM ELEMENT 1000W/120V	5-120V-1000W-TO
H1	CONTROL PILOT LIGHT	1-PL-BMA7102
S1	NON-ILLUMINATED ROCKER SWITCH	1-RS-NI

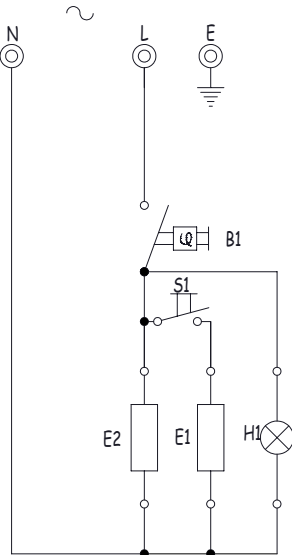


**WIRING DIAGRAM
SANDWICH PRESS
MODEL CODE: TSA6009 R01**

LEGEND	DESCRIPTION	PART NUMBER
B1	CONTROL THERMOSTAT	1-EGO-150
E1	TOP ELEMENT 1050W/230V	5-1050W-PAN
E2	BOTTOM ELEMENT 920W/230V	5-920W-PAN
H1	CONTROL PILOT LIGHT	1-PL-BMA0001
S1	NON-ILUMINATED ROCKER SWITCH	1-RS-NI

**WIRING DIAGRAM
SANDWICH PRESS
MODEL CODE: TSA6009-120**

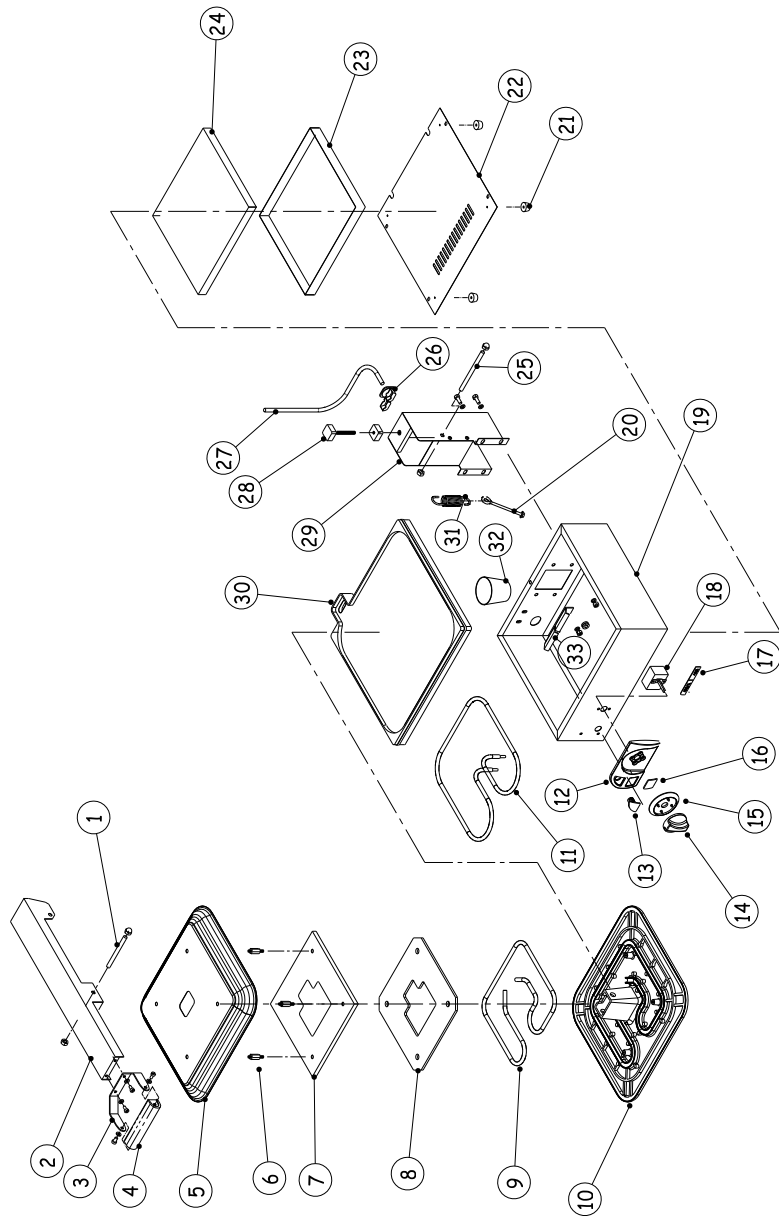
LEGEND	DESCRIPTION	PART NUMBER
B1	CONTROL THERMOSTAT	1-THERM-TO-TEF
E1	TOP ELEMENT 800W/120V	5-120V-800W-TO
E2	BOTTOM ELEMENT 1000W/120V	5-120V-1000W-TO
H1	CONTROL PILOT LIGHT	1-PL-BMA7102
S1	NON-ILLUMINATED ROCKER SWITCH	1-RS-NI



**MODEL:SANDWICH PRESS DELUX FLAT PLATE TEFLON COATED
MODEL CODE : TSA2009 R01**

Part No.	Description
1	TOP HINGE AXLE M8
2	9 SLICE TOASTER HANDLE
3	STAINLESS STEEL HANDLE
4	PLASTIC TOASTER HANDLE
5	PRESSED TOASTER STAINLESS STEEL LID
6	M5 HEX SPACERS
7	TOP ELEMENT COVER PLATE ADAPTOR
8	5MM MILL BOARD TOP
9	TOP ELEMENT 950W
10	ALUMINIUM TOP CASTING TEFLON COATED
11	BOTTOM ELEMENT 1200W
12	CONTROL FACIA PANEL
13	PILOT LIGHT
14	KNOB
15	BEZEL
16	CONTROL PANEL INSERT
17	ANVIL AXIS LOGO
18	THERMOSTAT
19	STAINLESS STEEL BODY
20	M5 PLATED EYE BOLT
21	SMALL RUBBER FEET
22	GALVANISED COVER PLATE
23	BOTTOM ELEMENT COVER
24	INSULATION PAD
25	HANDLE AXLE M8
26	CABLE GRIP
27	POWER CORD
28	HANDLE ADJUSTING SCREW
29	HANDLE HINGE BRACKET
30	ALUMINIUM BOTTOM CASTING TEFLON COATED
31	HANDLE SPRING
32	DRIP CUP
33	SPRING BRACKET

**EXPLODED DIAGRAM
SANDWICH PRESS DELUXE FLAT PLATE TEFLON COATED
MODEL CODE: TSA2009 R01**

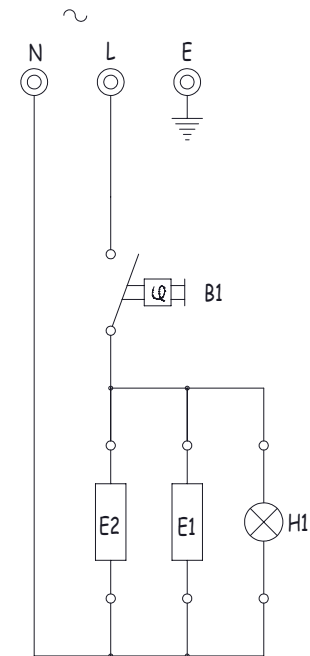


**WIRING DIAGRAM
SANDWICH PRESS
MODEL CODE: TSA1212 R01**

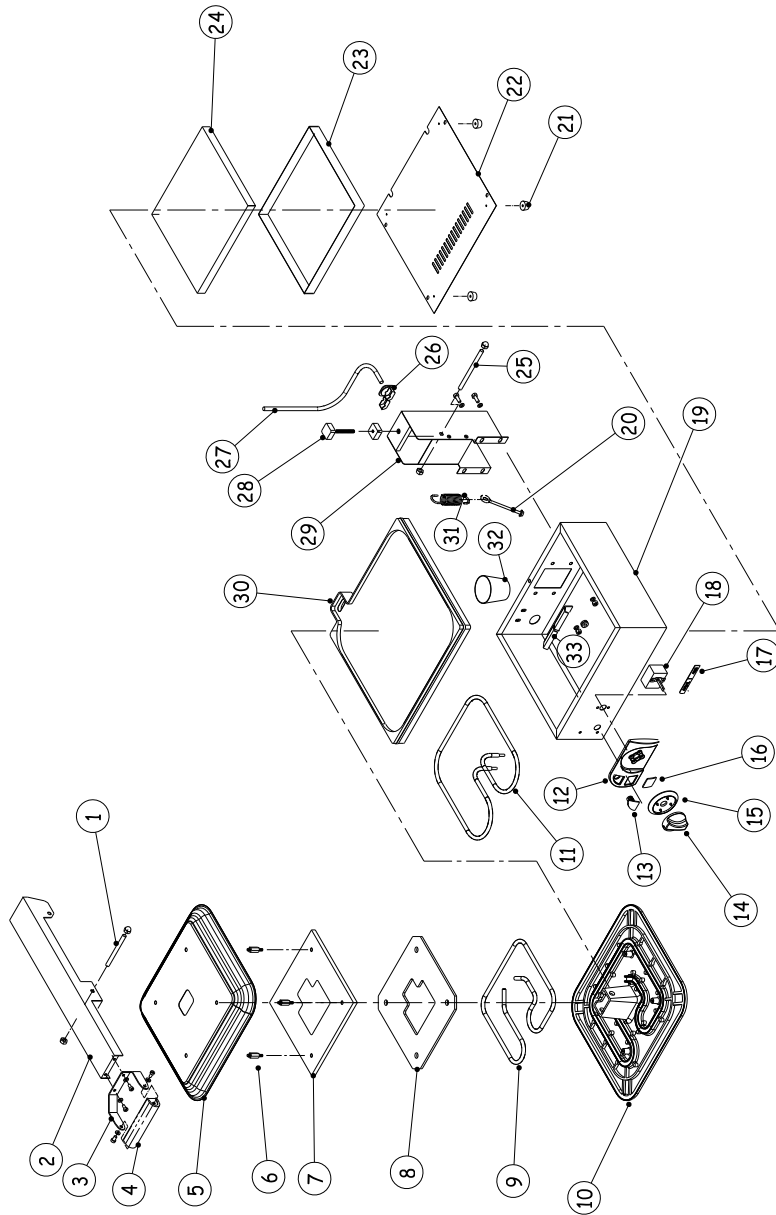
LEGEND	DESCRIPTION	PART NUMBER
B1	CONTROL THERMOSTAT	1-THERM-TOASTER
E1	TOP ELEMENT 1050W/230V	5-1400W-125-TOP
E2	BOTTOM ELEMENT 920W/230V	5-1800W-125-BOT
H1	CONTROL PILOT LIGHT	1-PL-BMA0001

**WIRING DIAGRAM
SANDWICH PRESS
MODEL CODE: TSA1212-120**

LEGEND	DESCRIPTION	PART NUMBER
B1	CONTROL THERMOSTAT	1-THERM-TOASTER
E1	TOP ELEMENT 800W/120V	5-120V-125-800W
E2	BOTTOM ELEMENT 1000W/120V	5-120V-125-1000W
H1	CONTROL PILOT LIGHT	1-PL-BMA7102



**EXPLODED DIAGRAM
SANDWICH PRESS FLAT PLATE
MODEL CODE: TSA1009 R01/TSA1309 R01**



**MODEL: SANDWICH PRESS FLAT PLATE
MODEL CODE : TSA1009 R01/TSA1309 R01**

Part No.	Description
1	TOP HINGE AXLE M8
2	9 SLICE TOASTER HANDLE
3	STAINLESS STEEL HANDLE
4	PLASTIC TOASTER HANDLE
5	PRESSED TOASTER STAINLESS STEEL LID
6	M5 HEX SPACERS
7	TOP ELEMENT COVER PLATE ADAPTOR
8	5MM MILL BOARD TOP
9	TOP ELEMENT 950W
10	ALUMINIUM TOP CASTING TEFLON COATED
11	BOTTOM ELEMENT 1200W
12	CONTROL FACIA PANEL
13	PILOT LIGHT
14	KNOB
15	BEZEL
16	CONTROL PANEL INSERT
17	ANVIL AXIS LOGO
18	THERMOSTAT
19	STAINLESS STEEL BODY
20	M5 PLATED EYE BOLT
21	SMALL RUBBER FEET
22	GALVANISED COVER PLATE
23	BOTTOM ELEMENT COVER
24	INSULATION PAD
25	HANDLE AXLE M8
26	CABLE GRIP
27	POWER CORD
28	HANDLE ADJUSTING SCREW
29	HANDLE HINGE BRACKET
30	ALUMINIUM BOTTOM CASTING TEFLON COATED
31	HANDLE SPRING
32	DRIP CUP
33	SPRING BRACKET