

WAFFLE BAKER 1 PLATE

MANUFACTURING
SINCE 1966



Model: WBA0001



FEATURES

- Breakfast, lunch or dinner, serve up profitable customer favourite waffles in a wide variety of food service applications.
- Ideal for use in coffee shops, delis, restaurants and other catering
- Upper and lower grids are interlocking to seal in batter and limit over flow, producing perfectly rounded edges every time
- The body is made from Stainless Steel with a Stainless Steel drip plate for ease of cleaning facilities.
- Thermostat inside the unit is pre-set at 200°C . The timer function can be used to bake the waffles to the required finish



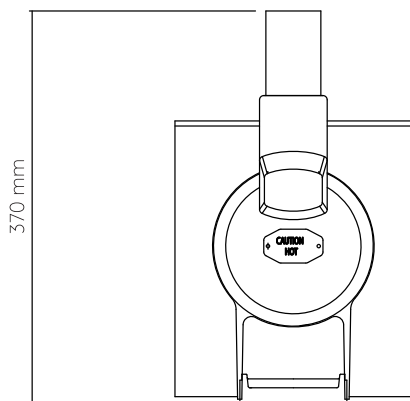
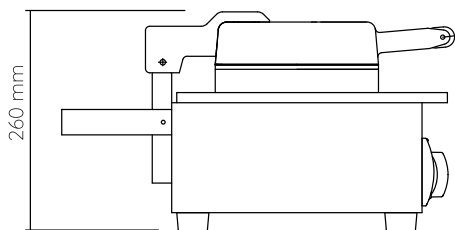
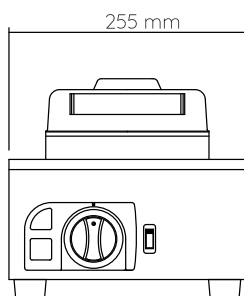
ALL ANVIL EQUIPMENT COMES WITH A TWO YEAR WARRANTY ON COMPONENTS AND DEFECTIVE WORKMANSHIP.

www.anvilworld.com

Model: WBA0001**SPECIFICATIONS**

POWER	0.8kW
VOLTAGE	230V - 50Hz
PACKAGING (W x D x H)	320 x 440 x 310 (mm)
UNIT (W x D x H)	255 x 370 x 260 (mm)
NET WEIGHT	7kg
GROSS WEIGHT	8.7kg
SHIPPING VOLUME	0.04m ³
PLATE DIAMETER	185mm

AVAILABLE IN

 120V/60Hz**NOTE**

- When viewing the appliance from the front in its usual operating position, the width (W) of the product is the total distance from left to right; the depth (D) of the product is the total distance from the front to the back; the height (H) is the total distance from the bottom of the product to the top. Pictures may vary from actual product.

DISCLAIMER

- Output performance figures quoted are dependent on various factors. Anvil reserves the right, without notice, to make changes and revisions to product specifications, materials and design, when we believe it will provide better performance, durability, and efficiency. Unit measurements may vary depending on point of reference.



ALL ANVIL EQUIPMENT COMES WITH A TWO YEAR WARRANTY ON COMPONENTS AND DEFECTIVE WORKMANSHIP.

www.anvilworld.com