

# BELGIAN WAFFLE BAKER - 2 PLATE

MANUFACTURING  
SINCE 1966



**Model: WBA1002**



## FEATURES

- Anvil's belgian style waffle bakers are ideally suited for use in kitchens, coffee shops, outdoor markets and ice cream parlours
  - Units are fitted with a digital programmable control for heat and time settings
  - Audible alarm on completion of the programmed time
  - Stainless Steel construction
  - Digital read out display
  - 180° rotating waffle plates
- NOTE:**  
Teflon coated Plates

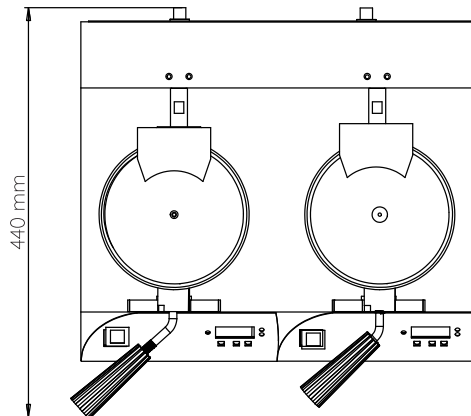
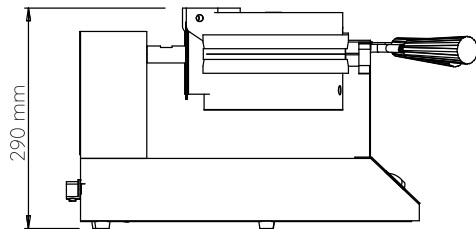
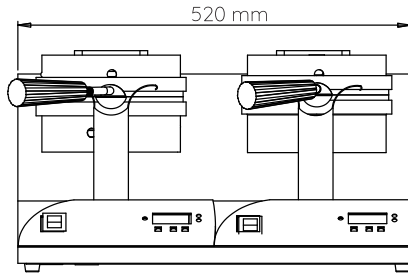


**ALL ANVIL EQUIPMENT COMES WITH A TWO YEAR WARRANTY ON COMPONENTS AND DEFECTIVE WORKMANSHIP.**

[www.anvilworld.com](http://www.anvilworld.com)



**Model: WBA1002**



### SPECIFICATIONS

POWER	2.0kW
VOLTAGE	230V - 50Hz
PACKAGING (W x D x H)	580 x 520 x 380 (mm)
UNIT (W x D x H)	520 x 440 x 290 (mm)
NET WEIGHT	22kg
GROSS WEIGHT	23kg
SHIPPING VOLUME	0.11m <sup>3</sup>
PLATE DIAMETER	190mm (Per Plate)

AVAILABLE IN

120V/60Hz

### NOTE

- When viewing the appliance from the front in its usual operating position, the width (W) of the product is the total distance from left to right; the depth (D) of the product is the total distance from the front to the back; the height (H) is the total distance from the bottom of the product to the top. Pictures may vary from actual product.

### DISCLAIMER

- Output performance figures quoted are dependent on various factors. Anvil reserves the right, without notice, to make changes and revisions to product specifications, materials and design, when we believe it will provide better performance, durability, and efficiency. Unit measurements may vary depending on point of reference.



**ALL ANVIL EQUIPMENT COMES WITH A TWO YEAR WARRANTY ON COMPONENTS AND DEFECTIVE WORKMANSHIP.**

[www.anvilworld.com](http://www.anvilworld.com)